



8/10/12 INCH GLOBAL STANDARD TURNING CENTER

PUMA GT

2100 • 2600 • 3100



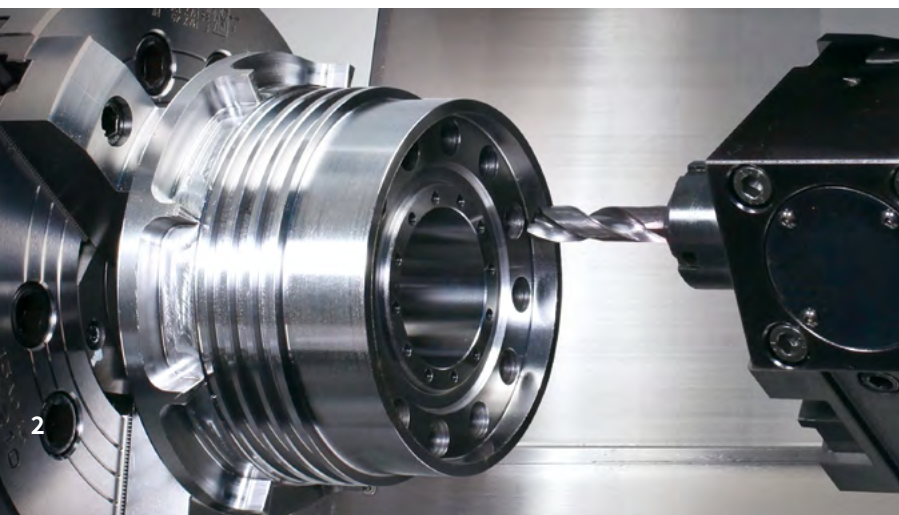
DN SOLUTIONS

PUMA GT2100 · 2600 · 3100

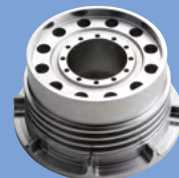
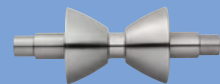
The PUMA GT Series is an 8/10/12-inch chuck size turning center range that sets new global standards. The Series is equipped with the most powerful spindle in its class and an innovative tool post concept that guarantees powerful and precise machining and exceptional productivity. The design of the GT Series focuses on convenient operation and easy maintenance.



PUMA GT2600M



Sample





PUMA GT2600XL

PUMA GT3100M

POWERFUL AND PRECISE CUTTING CAPABILITY

OUTSTANDING PRODUCTIVITY

IMPROVED USABILITY

PUMA GT Series ensures stability and has powerful cutting capabilities and features a box guideway structure and the highest spindle power in its class.

Compared to previous models, the Series has faster rapid traverse rates and optimised control functions that ensure the highest productivity.

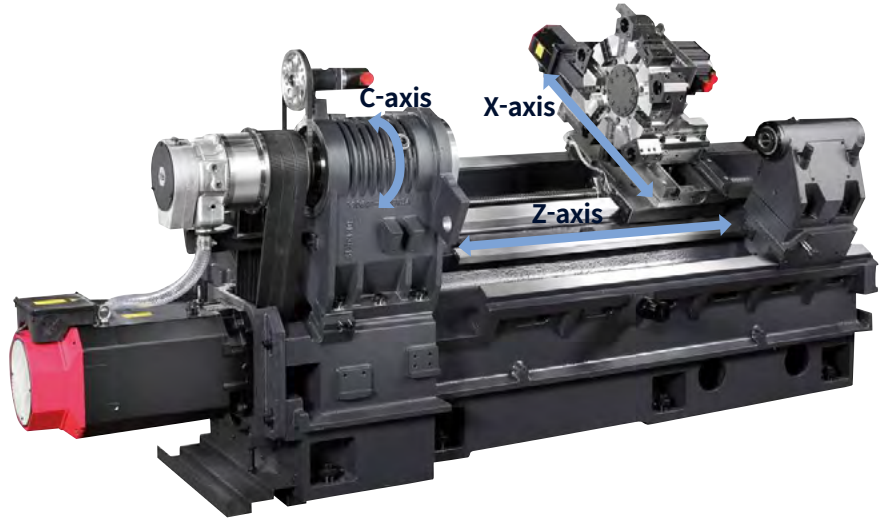
Usability of GT Series is maximized through a user-friendly operation panel, and simple maintenance functions.

BASIC STRUCTURE

Box guideways are applied to all axes to prevent vibration, ensure dynamic rigidity, and deliver powerful and precise machining.

A diverse line-up that meets all customer requirements

The PUMA GT Series comprises 20 different machine models which have different configurations and specifications (i.e., chuck size, machine length, and operation of rotating tools).

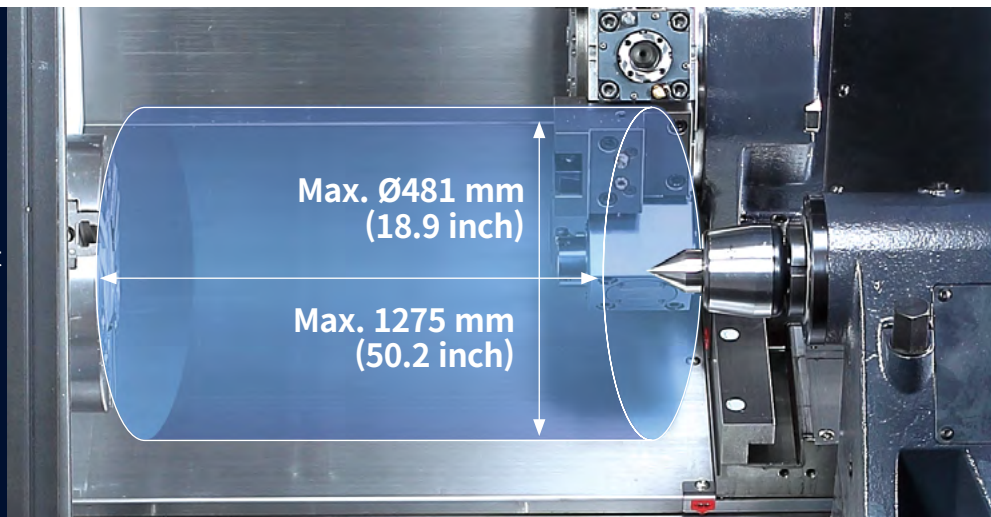


Model group	Standard chuck size (inch)
PUMA GT2100	8
PUMA GT2100B	10
PUMA GT2600	10
PUMA GT2600XLB	12
PUMA GT3100A	10
PUMA GT3100	12

Model group	Travel (mm (inch))		Rapid traverse rate (m/min (ipm))	
	X-Axis	Z-Axis	X-Axis	Z-Axis
PUMA GT2100	230 (9.1)	580 (22.8)	24 (945)	30 (1181)
PUMA GT2100B				
PUMA GT2600		680 (26.8)		
PUMA GT2600L	265 (10.4)	1100 (43.3)		
PUMA GT2600XL/XLB		1625 (64.0)		
PUMA GT3100/A	260 (10.2)	830 (32.7)		
PUMA GT3100L/LA		1350 (53.1)		

MACHINING AREA

PUMA GT Series machines have the largest machining areas their class and deliver maximum productivity with minimum cost.



Model group (unit : mm (inch))	Max. turning dia. (2axis/M)	Bar working dia.	Max. turning length (2axis/M)
PUMA GT2100	390 / 300 (15.4 / 11.8)	65 (2.6)	562 / 513 (22.1 / 20.2)
PUMA GT2100B			550 / 501 (21.7 / 19.7)
PUMA GT2600	460 / 410 (18.1 / 16.1)	81 (3.2)	658 / 610 (25.9 / 24.0)
PUMA GT2600L			1078 / 1030 (42.4 / 40.6)
PUMA GT2600XL		102 (4.0)	1603 / 1555 (63.1 / 61.2)
PUMA GT2600XLB			1573 / 1525 (61.9 / 60.0)
PUMA GT3100A	481 / 376 (18.9 / 14.8)	81 (3.2)	790/760 (31.1 / 29.9)
PUMA GT3100LA			1310/1280 (51.6 / 50.4)
PUMA GT3100		102 (4.0)	755 / 725 (29.7 / 28.5)
PUMA GT3100L			1275 / 1245 (50.2 / 49.0)

SPINDLE INFORMATION

Design and use of a low inertia spindle improves acceleration /deceleration rates while at the same time increasing productivity and delivering powerful cutting performance.

Max. spindle speed

3500 r/min

Max. spindle power

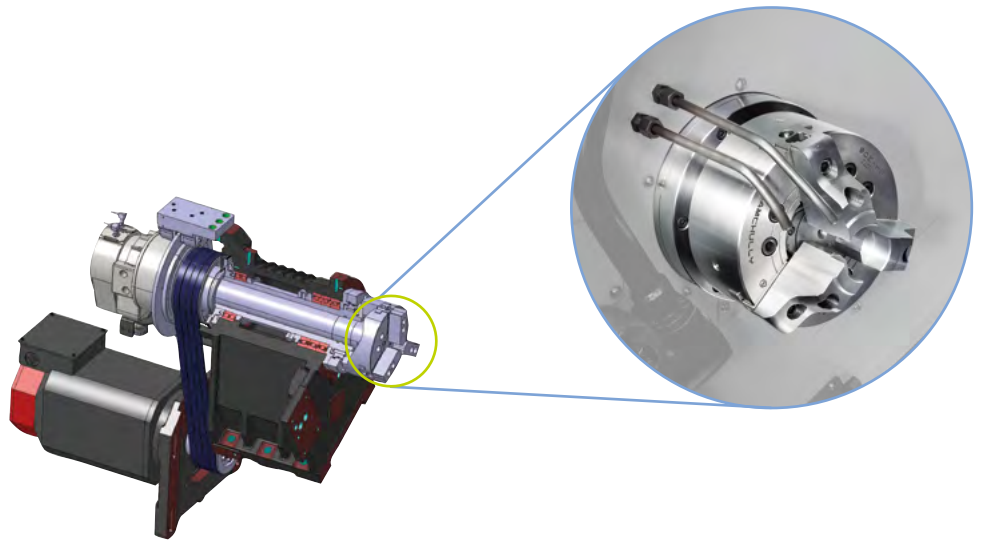
26 kW (34.9 Hp)

(S6 25%)

Max. spindle torque

735 N·m (542.4 lbf·ft)

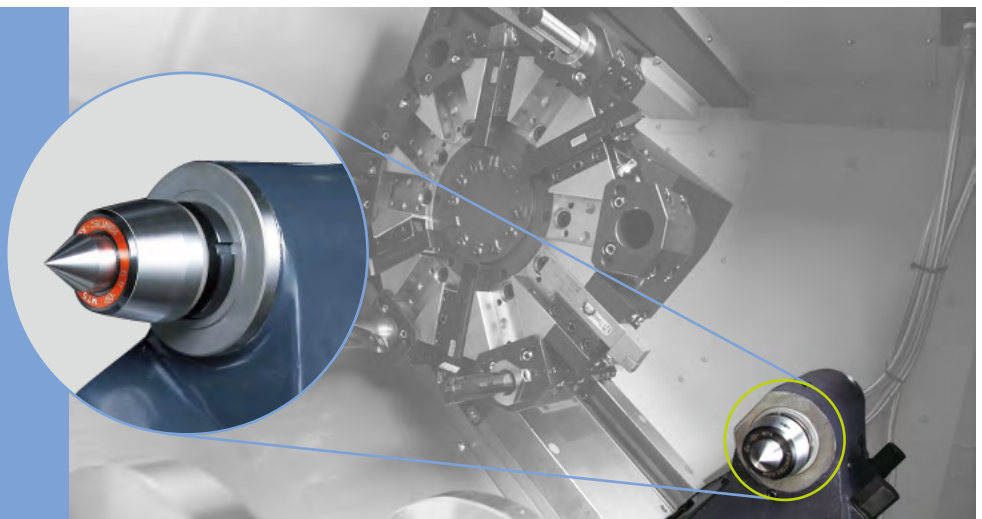
* PUMA GT2600 specification



Model group	Spindle speed (r/min)	Power (kW (hp))	Torque (N·m (lbf ft))	Condition
PUMA GT2100	4500	18.5 / 15 / 15 (24.8 / 20.1 / 20.1)	313 (230)	S6 25% / S6 40% / S1 Cont.
PUMA GT2100B	3500	18.5 / 15 / 15 (24.8 / 20.1 / 20.1)	400 (295.2)	S6 25% / S6 40% / S1 Cont.
PUMA GT2600	3500	26 / 22 / 18.5 (34.9 / 29.5 / 24.8)	622 (459.0)	S6 25% / S6 60% / S1 Cont.
PUMA GT2600XLB	2500	22 / 13 (29.5 / 17.4) (Low winding) 26 / 22 / 18.3 (34.9 / 29.5 / 24.8) (High winding)	992 (732.1)	S6 15% / S1 Cont. S6 25% / S6 60% / S1 Cont.
PUMA GT3100A	3500	35/26/22 (46.9 / 34.9 / 29.5)	1122 (828.0)	S3 25%/S3 60%/ Cont.
PUMA GT3100MA	3500	22/18.5 (29.5 / 24.8)	622 (459.0)	S3 60%/ Cont.
PUMA GT3100	2800	35 / 26 / 22 (46.9 / 34.9 / 29.5)	1613 (1190.4)	S3 25% / 30min / Cont.
PUMA GT3100M	2800	22 / 18.5 (29.5 / 24.8)	1123 (828.8)	30min / Cont.

TAILSTOCK

A highly-rigid tailstock is used to support the machining of long and thin workpieces.



Model group (mm (inch))	Tailstock travel	Quill dia	Quill travel
PUMA GT2100/B	580 (22.8)	80 (3.1)	80 (3.1)
PUMA GT2600	680 (26.8)	100 (3.9)	100 (3.9)
PUMA GT2600L	1100 (43.3)		
PUMA GT2600XL	1625 (64.0)		
PUMA GT2600XLB	1595 (62.8)		
PUMA GT3100/A	830 (32.7)		
PUMA GT3100L/LA	1350 (53.1)		

TURRET

Turret rotation is controlled by a servo motor for prompt and correct selection of tools.

Servo indexing turret

The servo motor controls the movement of the turret guaranteeing rapid rotation and correct positioning. The milling turret, including rotary tools, features the BMT design for higher rigidity. In addition, oil and air lubrication of the rotary tools reduced thermal displacements and ensures best-in-class milling, drilling and tapping.

2 axis turret

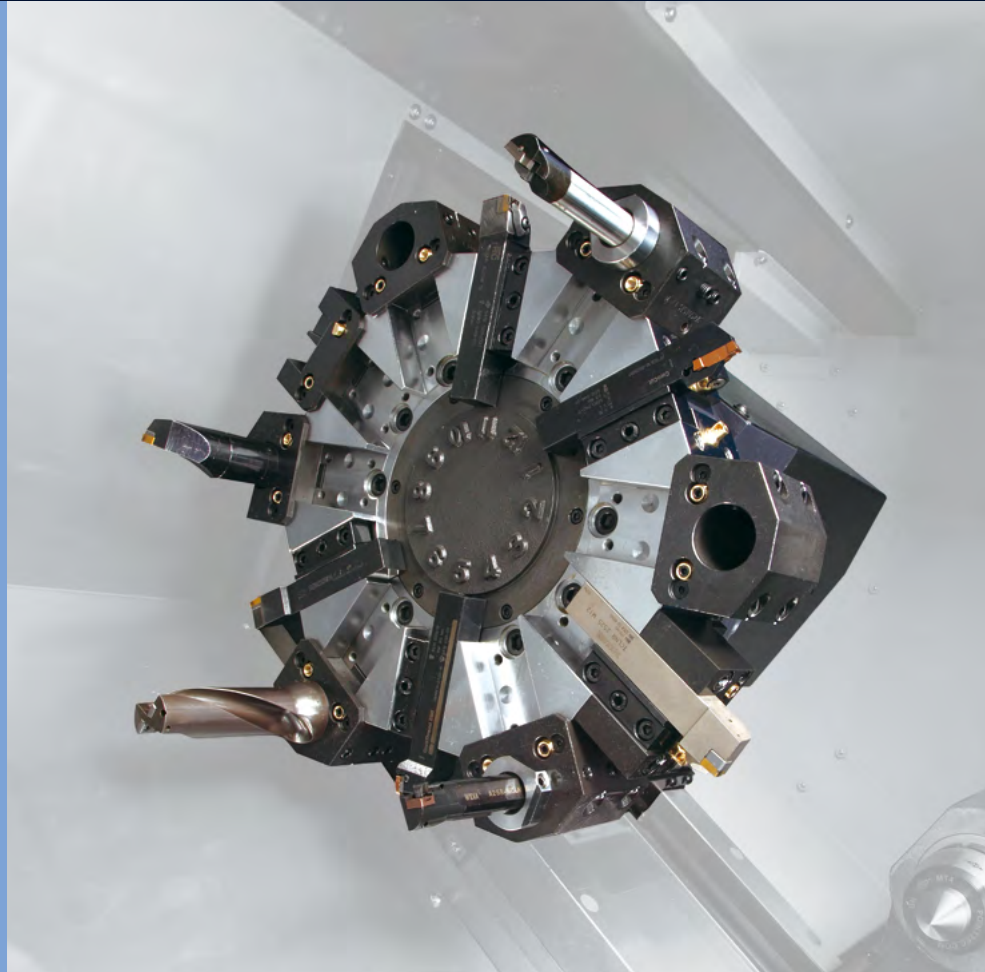
Number of tool stations

PUMA GT2100

12 st

PUMA GT2100B, PUMA GT2600, PUMA GT3100

10 st / 12 st option



BMT milling turret

PUMA GT2100M, PUMA GT2600M PUMA GT3100M / LM

BMT 55P

BMT65P

Number of tool stations

PUMA GT2100M, PUMA GT2600M

12 st

PUMA GT3100M / LM

12 st / 24 st option

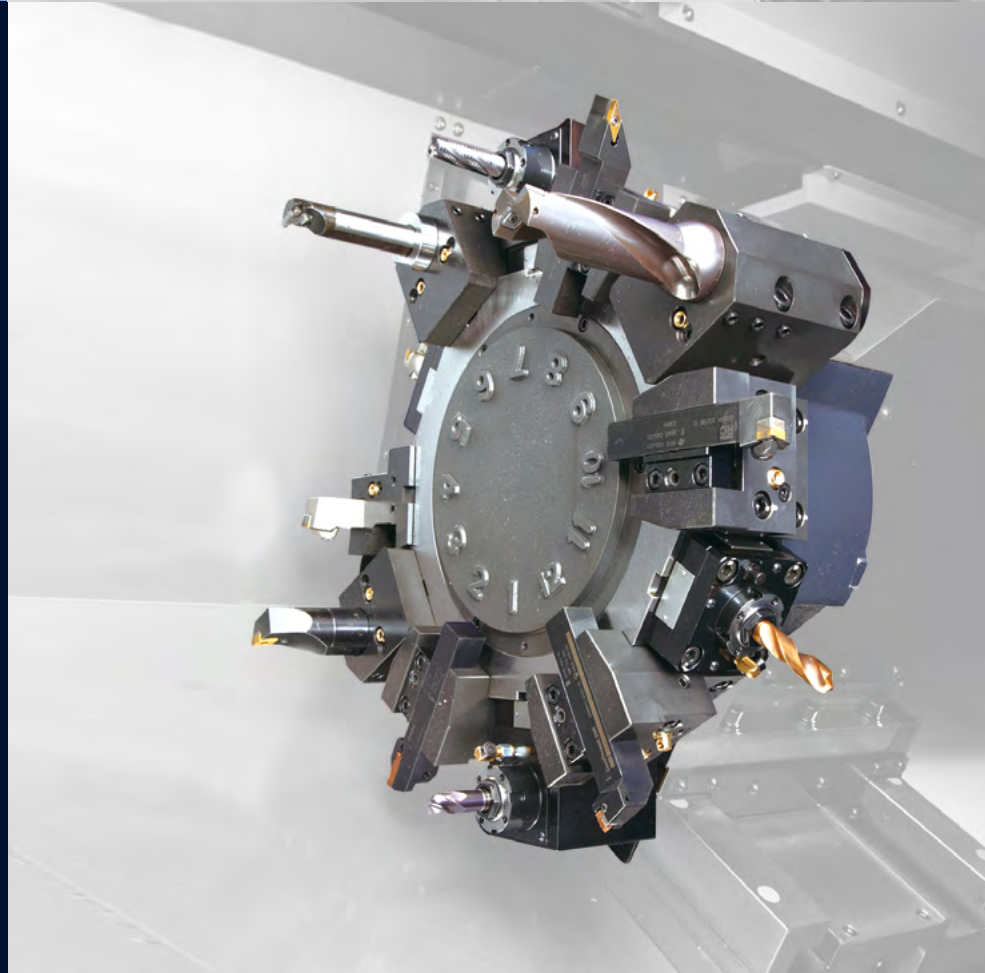
Rotary tool motor power

PUMA GT2100M, PUMA GT2600M

5.5 kW (7.4Hp)

PUMA GT3100M / LM

7.5 kW (10Hp)



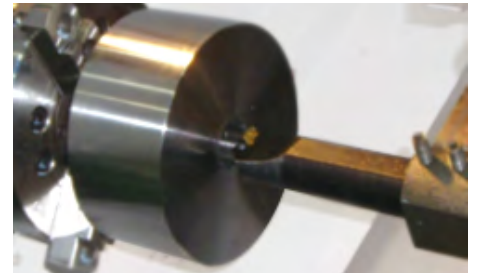
CUTTING PERFORMANCE

Multi-functionality including end milling, face milling, drilling, tapping, etc. offers better machining performance while minimizing work setting.

OD turning				
	unit	PUMA GT2100	PUMA GT2600	PUMA GT3100
Chip removal rate	cm ³ /min (inch ³ /min)	551 (33.6)	693 (42.3)	1155 (70.5)
Cutting speed	m/min (ipm)	210 (8278)	210 (8278)	210 (8278)
Feedrate	mm/rev (ipr)	0.55 (0.02)	0.55 (0.02)	0.55 (0.02)
Spindle speed	r/min	965	338	207
Cutting depth	mm (inch)	4.5 (0.18)	6 (0.24)	10 (0.6)



ID turning (Rough cutting)				
	unit	PUMA GT2100	PUMA GT2600	PUMA GT3100
Cutting speed	m/min (ipm)	270 (10630)	270 (10630)	280 (11023.6)
Feedrate	mm/rev (ipr)	0.3 (0.01)	0.3 (0.01)	0.3 (0.01)
Spindle speed	r/min	1131	1131	849
Cutting depth	mm (inch)	3 (0.1)	3 (0.1)	3 (0.1)
Tool length	length / dia.	3.5D	3.5D	4.0D



U drilling (2axis)				
	unit	PUMA GT2100	PUMA GT2600	PUMA GT3100
Chip removal rate	cm ³ /min (inch ³ /min)	567 (34.6)	914 (55.8)	1040 (63.5)
Cutting speed	m/min (ipm)	200 (7874)	200 (7874)	200 (7874)
Feedrate	mm/rev (ipr)	0.18 (0.007)	0.29 (0.011)	0.26 (0.01)
Spindle speed	r/min	1011	1011	796
U drill dia.	mm (inch)	63 (2.5)	63 (2.5)	80 (3.1)



Face milling				
	unit	PUMA GT2100M	PUMA GT2600M	PUMA GT3100M
Chip removal rate	cm ³ /min (inch ³ /min)		47.9 (2.9)	68 (4.1)
Cutting speed	m/min (ipm)		120 (4724)	280 (11023.6)
Feedrate	m/min (ipm)		190 (7481)	558 (21968.5)
Spindle speed	r/min		606	1115
Cutting depth	mm (inch)		4 (0.2)	2 (0.1)
Face mill dia.	mm (inch)		63 (2.5)	80 (3.1)



End milling				
	unit	PUMA GT2100M	PUMA GT2600M	PUMA GT3100M
Chip removal rate	cm ³ /min (inch ³ /min)		90 (5.5)	133.8 (8.2)
Cutting speed	m/min (ipm)		60 (2362)	70 (2755.9)
Feedrate	m/min (ipm)		250 (9843)	223 (8779.5)
Spindle speed	r/min		1060	1115
Cutting depth	mm (inch)		20 (0.7)	30 (1.2)
End mill dia.	mm (inch)		18 (0.7)	20 (0.7)



Tapping				
	unit	PUMA GT2100M	PUMA GT2600M	PUMA GT3100M
Tap size	-		M20 x P2.5	
Cutting speed	m/min (ipm)		15 (591)	
Feedrate	m/min (ipm)		2.5 (98.4)	
Spindle speed	r/min		240	



* The results, indicated in this catalogue are provides as example. They may not be obtained due to differences in cutting conditions and environmental conditions during measurement.

STANDARD | OPTIONAL SPECIFICATIONS

A range of options is available to suit individual requirements.

Description	Features	PUMA GT2100 / M	PUMA GT2100B / MB
Chuck	8 inch	●	X
	10 inch	○	●
	12 inch	X	X
	15 inch	X	X
	No chuck	○	○
Jaw	Soft Jaw	●	●
	Hard jaw	○	○
Chucking Option	DUAL PRESSURE CHUCKING	○	○
	CHUCK CLAMP CONFIRMATION	●	●
Steady rest	Hydraulic	△	△
	Programmable	△	△
	Manual	△	△
V stand	V stand for shaft workpiece	△	△
Tailstock	Manual	●	●
	Programmable	○	○
	Live center	●	●
	Built-in dead center	○	○
Coolant Pump	1.5 bar	●	●
	Increase Power (4.5/7/10/14.5/70 bar)	○	○
Additional coolant pump (for option)	4.5 bar	○	○
Coolant options	Oil skimmer	○	○
	Coolant chiller	△	△
	Coolant pressure switch	○	○
	Chuck coolant	○	○
	Coolant gun	○	○
Chip disposal options	Side type chip conveyor	○	○
	Rear type chip conveyor	○	○
	Chip bucket	○	○
	Air blower	○	○
	Mist collector interface	○	○
	Integrated mist collector	○	○
Measuring & automation	Tool setter (Manual)	○	○
	Tool setter (Automatic)	○	○
	Part catcher with parts box	○	○
	Part catcher with parts conveyor	△	△
	Auto door	○	○
	Bar feeder interface	○	○
Others	Tool load monitoring system	●	●
	Linear scale (Xaxis /Zaxis)	○	○
	Signal tower	○	○
	Air gun	○	○
	Automatic power off	○	○
	Quick change tooling(CAPTO)	○	○
	Sketch-turn S/W	○	○
Customized Special Option	V STAND FOR SHAFT WORKPIECE_ON TAILSTOCK	X	X
	GUIDE WAY WIPER_FOR DRY CUTTING	X	X
	TAILSTOCK DEDUCTION	X	X
	MAIN/LEFT SPINDLE AIR CURTAIN	X	X
	AUTOMATIC TOP DOOR	○	○
	COOLANT TANK DIRECTION_REAR SIDE	X	X
	MAIN/LEFT CHUCK SIZE_170 MM (6 INCH)	○	○
	CHUCK PRESSURE SWITCH	○	○
	COOLANT CHILLER	○	○
	TOP PROTECTION COVER	X	X
	SHOWER COOLANT	X	X
	DOUBLE SAFETY EDGE FOR AUTO FRONT DOOR	X	X
	COOLANT LEVEL SWITCH_FLOATING	○	○
	AIR LIMIT SENSING ON CHUCK_PREPARATION	○	○
	TSC FOR MAIN/LEFT SPINDLE_PREPARATION	○	○
	AUTO. WORK MEASUREMENT_OLP40_RENISHAW	○	○
	AUTO. WORK MEASUREMENT_RLP40_RENISHAW	○	○
COOLANT PUMP_4.0 KW_2.8 MPA	X	○	
Coolant level switch : Sensing level - Low	○	○	

STANDARD | OPTIONAL SPECIFICATIONS

Description	Features	PUMA GT2600 / M	PUMA GT2600L / LM	PUMA GT2600XL/ XLM	PUMA GT2600XLB/ XLMB	PUMA GT3100A/LA/ MA/LMA	PUMA GT3100 / M	PUMA GT3100L / LM
Chuck	8 inch	X	X	X	X	X	X	X
	10 inch	●	●	●	X	●	X	X
	12 inch	○	○	X	●	○	●	●
	15 inch	X	X	X	X	X	○	○
	No chuck	○	○	○	○	○	○	○
Jaw	Soft Jaw	●	●	●	●	●	●	●
	Hard jaw	○	○	○	○	○	○	○
Chucking Option	DUAL PRESSURE CHUCKING	○	○	○	○	○	○	○
	CHUCK CLAMP CONFIRMATION	●	●	●	●	●	●	●
Steady rest	Hydraulic	△	△	○	○	○	○	○
	Programmable	△	△	○	○	○	○	○
	Manual	△	△	○	○	○	○	○
V stand	V stand for shaft workpiece	△	△	△	△	△	△	△
	Manual	●	●	●	●	●	○	○
Tailstock	Programmable	○	○	○	○	○	●	●
	Live center	●	●	●	●	●	●	●
	Built-in dead center	○	○	○	○	○	○	○
Coolant Pump	1.5 bar	●	●	●	●	●	●	●
	Increase Power (4.5/7/10/14.5/70 bar)	○	○	○	○	○	○	○
Additional coolant pump (for option)	4.5 bar	○	○	○	○	○	○	○
Coolant options	Oil skimmer	○	○	○	○	○	○	○
	Coolant chiller	△	△	△	△	△	△	△
	Coolant pressure switch	○	○	○	○	○	○	○
	Chuck coolant	○	○	○	○	○	○	○
	Coolant gun	○	○	○	○	○	○	○
Chip disposal options	Side type chip conveyor	○	○	○	○		○	○
	Rear type chip conveyor	○	X	X	X	A/MA : △ LA/LMA : X	△	X
	Chip bucket	○	○	○	○		○	○
	Air blower	○	○	○	○		○	○
	Mist collector interface	○	○	○	○		○	○
Measuring & automation	Integrated mist collector	○	○	○	○		○	○
	Tool setter (Manual)	○	○	○	○		○	○
	Tool setter (Automatic)	○	○	○	○		○	○
	Part catcher with parts box	○	○	○	○		○	○
	Part catcher with parts conveyor	△	△	○	○		○	○
Others	Auto door	○	○	○	○		○	○
	Bar feeder interface	○	○	○	○		○	○
	Tool load monitoring system	●	●	●	●	●	●	●
	Linear scale (Xaxis /Zaxis)	○	○	○	○		○	○
	Signal tower	○	○	○	○		○	○
	Air gun	○	○	○	○		○	○
	Automatic power off	○	○	○	○		○	○
Customized Special Option	Quick change tooling(CAPTO)	○	○	○	○		○	○
	Sketch-turn S/W	○	○	○	○		○	○
	V STAND FOR SHAFT WORKPIECE_ON TAILSTOCK	X	X	X	X	○	○	○
	GUIDE WAY WIPER_FOR DRY CUTTING	X	X	X	X	○	○	○
	TAILSTOCK DEDUCTION	X	X	X	X	○	○	○
	MAIN/LEFT SPINDLE AIR CURTAIN	X	X	X	X	○	○	○
	AUTOMATIC TOP DOOR	○	X	X	X	X	X	X
	COOLANT TANK DIRECTION_REAR SIDE	○	○	X	X	X	X	X
	MAIN/LEFT CHUCK SIZE_170 MM (6 INCH)	X	X	X	X	X	X	X
	CHUCK PRESSURE SWITCH	X	X	X	X	X	X	X
	COOLANT CHILLER	○	○	X	X	○	○	○
	TOP PROTECTION COVER	X	X	X	X	○	○	○
	SHOWER COOLANT	X	X	X	X	○	○	○
	DOUBLE SAFETY EDGE FOR AUTO FRONT DOOR	X	X	X	X	○	○	○
	COOLANT LEVEL SWITCH_FLOATING	○	○	X	X	X	X	X
	AIR LIMIT SENSING ON CHUCK_PREPARATION	○	○	X	X	X	X	X
	TSC FOR MAIN/LEFT SPINDLE_PREPARATION	○	○	X	X	X	X	X
AUTO. WORK MEASUREMENT_OLP40_RENISHAW	○	○	X	X	X	X	X	
AUTO. WORK MEASUREMENT_RLP40_RENISHAW	○	○	○	○	X	X	X	
COOLANT PUMP_4.0 KW_2.8 MPA	○	○	X	X	X	X	X	
Coolant level switch : Sensing level - Low	○	○	○	○	○	○	○	

* Please contact your DN Solutions representative for detailed machine information.

● Standard ○ Optional X Not applicable

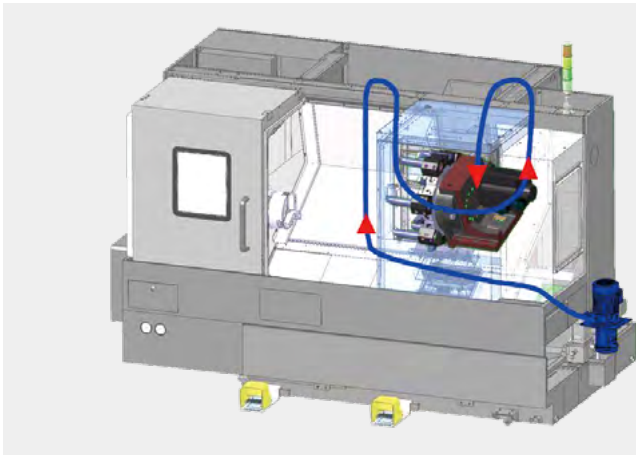
* When using a semi-synthetic type or synthetic type, contact our sales representative or service center in advance.



There is a high risk of fire when using non-water-soluble cutting fluids, processing flammable materials, neglecting the controlled and careful use of coolants and modifying the machine without the consent of the manufacturer. Always check the SAFETY GUIDELINES carefully before using the machine.

PERIPHERAL EQUIPMENT

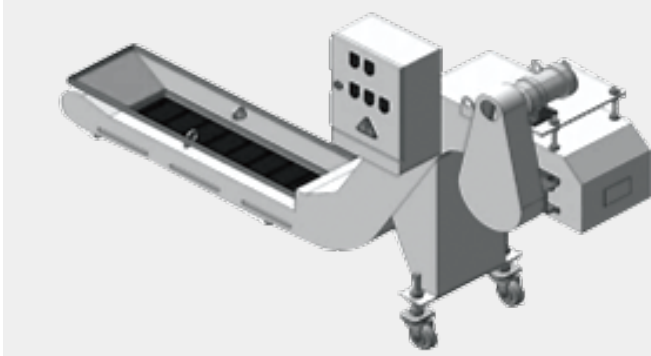
Coolant system



Coolant pump	Output pressure (bar)		Filter	Std./Opt.
	60Hz	50Hz		
pump1	1.5	1	Screen filter	std.
pump2	4.5	3		
pump3	7	5		
pump4	10	7		
pump5	14.5	10		
pump6	28	10.5	Dual bag filter	opt.
pump7	70	-		
pump8	70	-	Paper filter	

Chip conveyor option

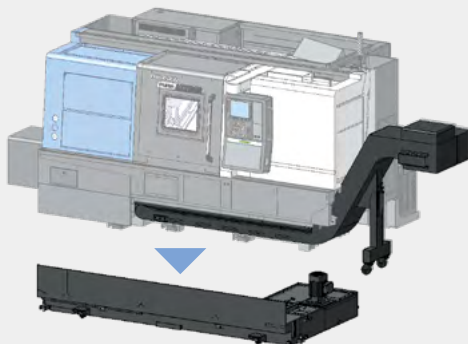
The conveyor provides a superior chip removal system and is designed with a stable structure for easy maintenance and reduced leakage. By selecting the correct type of conveyor, the efficiency of the machine is increased.



Chip conveyor type	Material	Description
Hinged belt	Steel	Most common type of chip conveyor. Appropriate for steel materials generating chips with a length of 30mm or more.
Screw	Steel	Chip conveyor with the smallest footprint and is 80% the size of the hinged belt option.
Magnetic scraper	Cast iron	Chip conveyor with magnet scraper : Appropriate for cast iron workpieces generating fine chips

Easy-to-clean coolant tank

The coolant tank can be dismantled without disassembling the chip conveyor. Operating convenience is significantly enhanced.



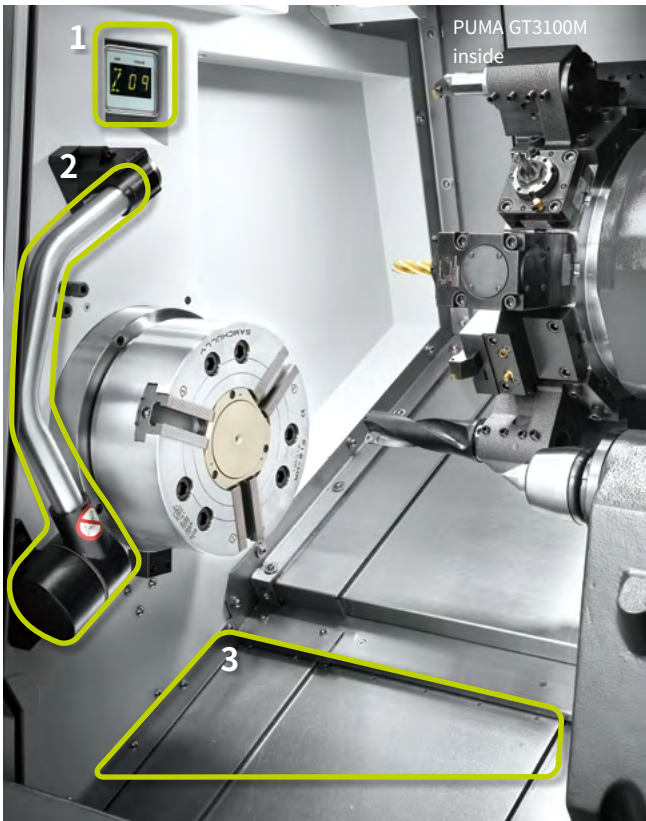
Model group	Coolant tank capacity (L (gallon))
PUMA GT2100 [B]	190 [190] (50.2 [50.2])
PUMA GT2600 [L] [XL]	220 [268] [358] (58.1 [70.8] [94.6])
PUMA GT3100 [L]	235 [275] (62.1 [72.7])

Quick change CAPTO option

The Quick Change Tool system simplifies tool change operations. It is recommended for users who need to change tools frequently or significantly reduce set-up times.



PERIPHERAL EQUIPMENT



1. Axis and tool number display (only for PUMA GT3100)

Axis and tool number display highlights the selected axis and identifies the tool number.



2. Tool setter (Tool length measurement option)

The tool setter facilitates the setting of tools, and the fast and precise measurement of abraded tools.



3. Full sliding cover on tailstock guideway *

Inclusion of a full cover prevents the heat from chips being transferred to the bed and guideway. The tailstock guideway can be protected and chips can be removed easily.

** Exception models : PUMA GT2600XL / XLB / XLM / XLMB (for further information contact DN Solutions)*

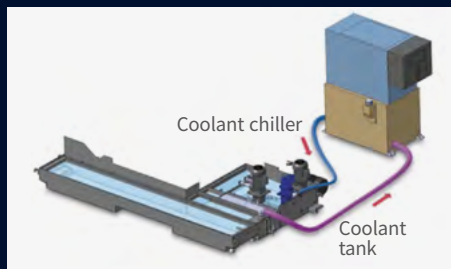
Oil skimmer option

The oil skimmer keeps coolant and lubricant isolated from each other and extends the life cycle of the coolant.



Coolant chiller option

When using a water-insoluble coolant or a high-pressure coolant system (where the power is over 1.5kW), a coolant chiller is highly recommended in order to prevent temperature rises and minimize thermal deformation.



Part catcher option

The part catcher automatically catches machined parts and ejects them from the machining area.



Mist collector option

The mist collector absorbs airborne oil vapor and fine dust particles in the system to improve the working environment.



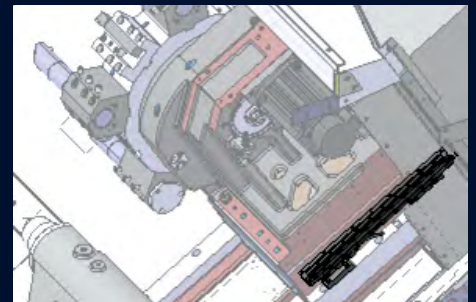
Collet chuck option

The collet chuck is ideal for loading small diameter and light weight workpieces.



Linear scale (X axis/Z axis) option

Linear scales are available for all axes and deliver increased accuracies.



DN SOLUTIONS FANUC i PLUS

DN Solutions Fanuc i Plus maximizes customer productivity and convenience.

15" Screen + New OP

DN Solutions Fanuc i Plus' operation panel enhances operating convenience by incorporating common-design buttons and layout. It features a Qwerty keyboard for fast and easy data input and operation.

DN Solutions Fanuc i Plus

- 15-inch color display
- Intuitive and user-friendly design

USB and PCMCIA card QWERTY Keyboard

- EZ-guide i standard
- Ergonomic operator panel
- 2MB Memory
- Hot keys



iHMI touchscreen option

iHMI provides an intuitive interface that uses a touchscreen for quick and easy operation.

Range of applications

Providing various applications related to planning, machining, improvement and utility, for customer convenience.

SKETCH-TURN option

DN Solutions Conversational programming software for PC

- Easy to learn for beginners
- Time savings in programming
- Reduce processing cycle time



NUMERIC CONTROL SPECIFICATIONS

FANUC

Division	Item	Specifications	2-Axis	M	Y
			DN Solutions Fanuc i Plus	DN Solutions Fanuc i Plus	DN Solutions Fanuc i Plus
Controlled axis	Controlled axes		2(X,Z)	3(X,Z,C)	4(X,Z,C,Y)
	Simultaneously controlled axes		2 axes	3 axes	4 axes
Data input/output	Fast data server		○	○	○
	Memory card input/output		●	●	●
	USB memory input/output		●	●	●
	Larger capacity memory_2GB	Available Option only with 15" Touch LCD (iHMI Only)	○	○	○
Interface function	Embedded Ethernet		●	●	●
	Fast Ethernet		○	○	○
	Enhanced Embedded Ethernet function		●	●	●
Operation	DNC operation	Included in RS232C interface.	●	●	●
	DNC operation with memory card		●	●	●
Program input	Workpiece coordinate system	G52 - G59	●	●	●
Feed function	AI contour control I	G5.1 Q_, 40 Blocks	○	○	●
	AI contour control II	G5.1 Q_, 200 Blocks	○	○	○
Operation Guidance Function	EZ Guidei (Conversational Programming Solution)		●	●	●
	iHMI with Machining Cycle	Only with 15" Touch LCD standard	○	○	○
	EZ Operation package		●	●	●
Setting and display	CNC screen dual display function		●	●	●
Network	FANUC MTConnect		✳	✳	✳
	FANUC OPC UA		✳	✳	✳
Others	Display unit	15" color LCD	●	●	●
		15" color LCD with Touch Panel	○	○	○
	Part program storage size & Number of registerable programs	640M(256KB)_500 programs 5120M(2MB)_1000 programs	X ●	X ●	X ●

Network: FANUC MTConnect and FANUC OPC UA available.

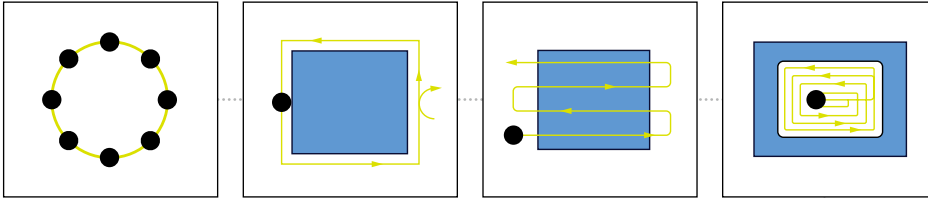
● Standard ○ Optional X/N/A ✳ Available

DN SOLUTIONS FANUC i PLUS

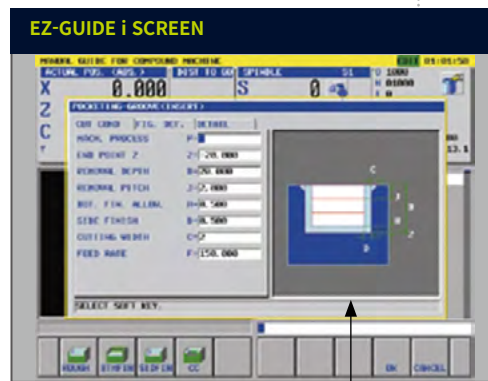
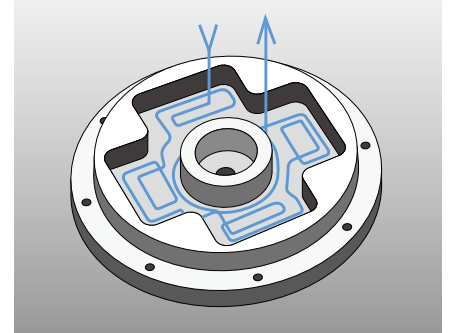
EZ-Guide i

Using the DN Solutions EZ-Guide i, users can create a cutting program for any desired shape, including patterns, by entering just the dimensions.

EXAMPLE PROGRAMMING : CUTTING SHAPE



EXAMPLE PART



Enter the dimensions of the shape

AUTOMATIC CREATION OF CUTTING PROGRAM

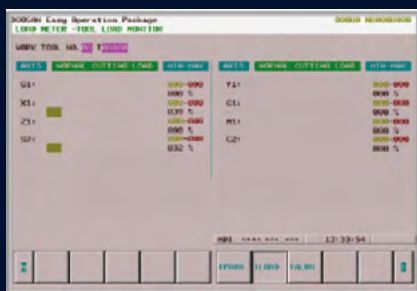
```
O7000 (SAMPLE PROGRAM) ;
...
M3 S1500 ;
G0 X50. Y125. ;
G0 Z30. ;
G1040 T0.5 J3. H0.2 K0.5 ... ;
G1020 H120. V50. U37. W68. ... ;
G0 Z80. ;
M5 ;
```

A cutting program is automatically created with the entered values.

EZ Work

DN Solutions EZ Work supports the user with tool, help desk, operation, functionalities to maximize operational efficiency and user convenience.

Operation / Maintenance



Tool load monitoring option

During cutting operation, abnormal load caused by wear or damage of the tool is detected and an alarm is triggered to prevent further damage.



Turret recovery help

The software is to help users recover turret step by step from trouble situation where it does not work. It can quickly recover your valuable machine.



Work management

The function is capable of checking operation hours of the system, and quantity of finished workpieces.

CONVENIENT OPERATION

SIEMENS S828D

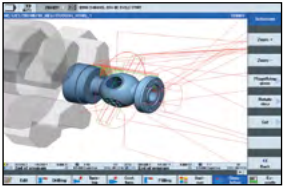
21.5 inch display + New OP

Two path programs are displayed simultaneously in the large 21.5-inch screen for enhanced user convenience.

- 21.5-inch display
- USB (standard)
- QWERTY keyboard

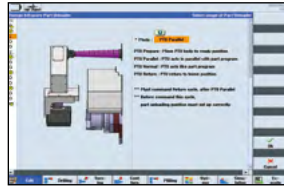


Convenient conversational functionality



Cutting and operation support function

This function shows a cutting and tool path simulation in real-time.



Shop-turn mode
[various]
↓
[attachments]

The automation elements (parts catcher, parts unloader etc.), can be easily controlled via interactive screens.



[Custom]
↓
[Protection zones]

Operation safety function

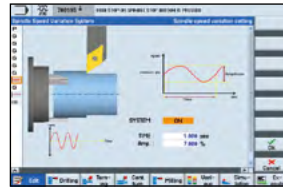
Protection Zone Synchronized Actions checks the interference between the turret and the spindle to prevent collisions caused by operator error.



[offset]
↓
[operating parameter]
↓
[TC service]

Maintenance and service convenience function

Maintenance and service of major equipment and peripheral devices, including the timer and parts counter settings can be easily undertaken.



[various]
↓
[attachment]
↓
[DSSV]

Machining accuracy improvement

The NC controls spindle speed at an optimal level after applying the function for precision threading and turning, making it possible to automatically improve surface roughness.



NUMERIC CONTROL SPECIFICATIONS

SIEMENS

Division	Item	Specifications	MS		SY	
			S828D	S840D	S828D	S840D
Controlled axis	Controlled axes		X1,Z1,C1,X2,Z2,C2,Z3,C3,C4		X1,Z1,C1,X2,Z2,C2,Z3,C3,C4,Y	
	Simultaneously controlled axes		4 axes	4 axes	4 axes	4 axes
Data input/output	Memory card input/output		X	X	X	X
	USB memory input/output		●	●	●	●
Interface function	Ethernet	(X130)	○	●	○	●
	On network drive	(without EES option, Extcall)	○	●	○	●
Operation	On USB storage medium, e.g. memory stick	(without EES option, Extcall)	●	●	●	●
	Workpiece coordinate system	G54 - G59, G507 - G599	●	●	●	●
Program input	Advanced surface		X	●	X	●
	Top surface		X	X	X	X
Feed function	Look ahead number of block		1	1000	1	1000
	3D simulation, finished part		●	●	●	●
	Simultaneous recording		●	●	●	●
	DXF reader for PC integrated in SINUMERIK operate		○	○	○	○
Operation guidance function	Shopturn		●	●	●	●
	EZ operation package		●	●	●	●
Setting and display	Operation via a VNC viewer		●	●	●	●
	MTConnect		⊗	⊗	⊗	⊗
Network	OPCUA		○	○	○	○
	Display unit	15.6" color display with touch screen(SW4.9)	●	○	●	○
Others	Part program storage size	21.5" color display with touch screen(SW4.9)	X	●	X	●
		CNC user memory 10 MB	●	●	●	●
		CNC user memory 100 MB	○	○	○	○
		CNC user memory 6GB	X	○	X	○
		CNC user memory 40GB (with PCU or IPC)	X	○	X	○
		CNC user memory without limit(Execution from external storage devices)(EES / Using by USB or Network)	○	○	○	○
HMI user memory for CNC part program 6GB	X	●	X	●		

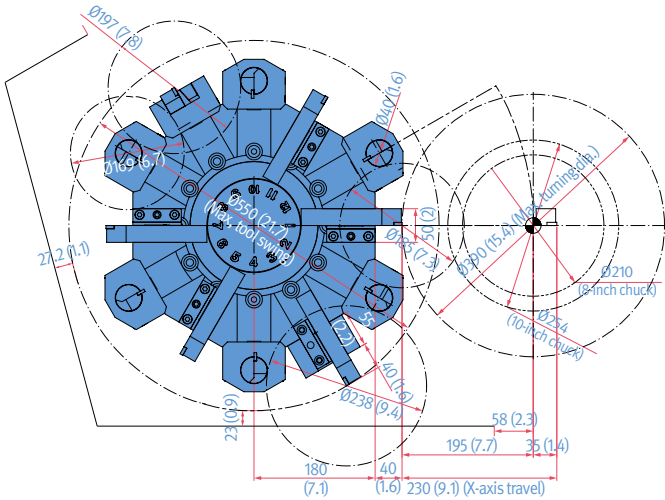
● Standard ○ Optional X N/A ⊗ Available

TOOL INTERFACE

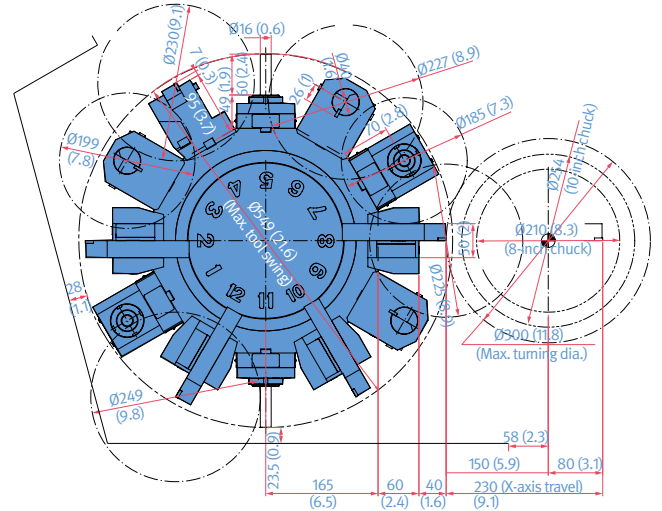
PUMA GT2100

Units : mm (inch)

PUMA GT2100 (2axis, 12station)

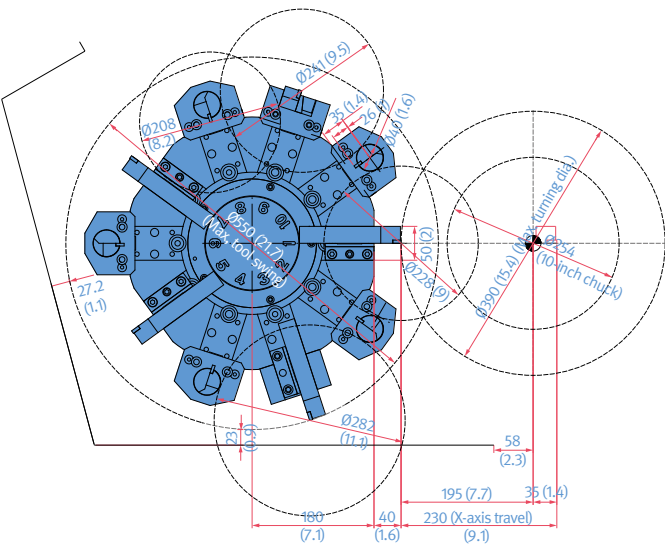


PUMA GT2100M (M, 12station, BMT55P)

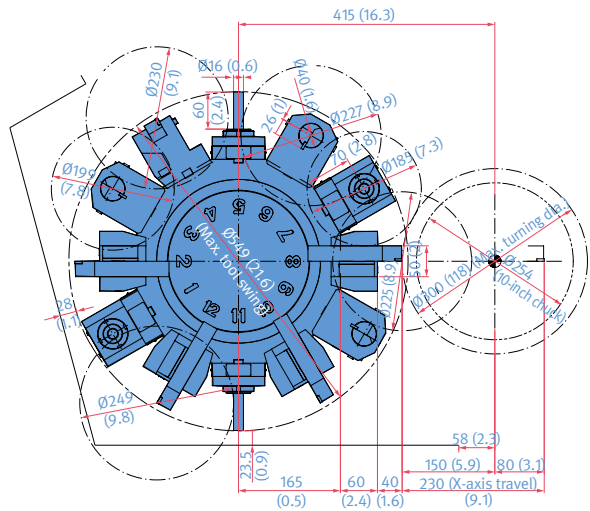


*Special tool holder set is available for increasing tooling interference range on PUMA GT2100 & GT2 600 series.
Please contact DN Solutions for details.

PUMA GT2100B (2axis, 12station)



PUMA GT2100MB (M, 12station, BMT55P)



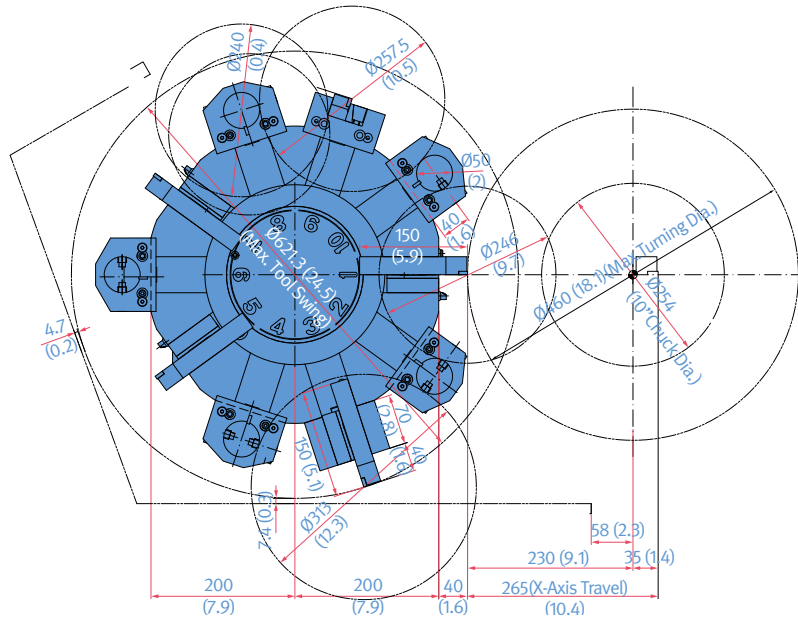
*Special tool holder set is available for increasing tooling interference range on PUMA GT2100 & PUMA GT2600 series.
Please contact DN Solutions for details.

TOOL INTERFACE

PUMA GT2600

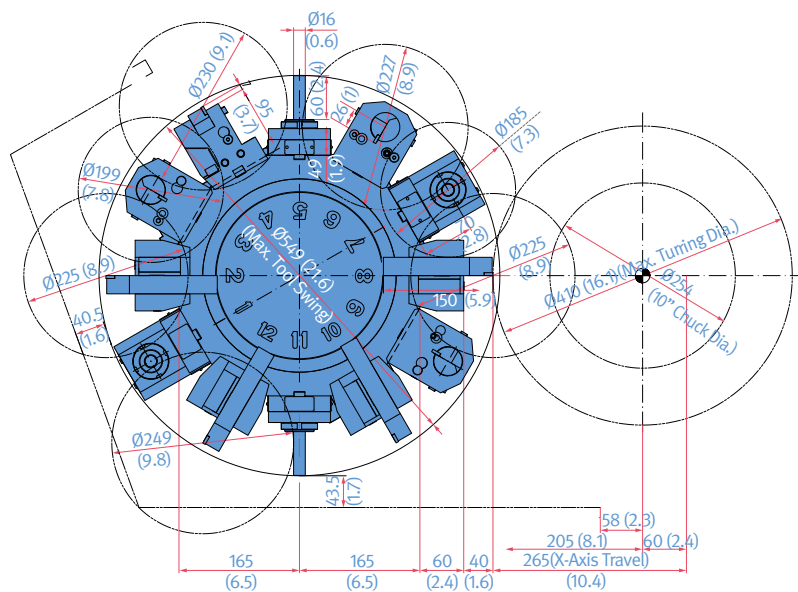
Units : mm (inch)

PUMA GT2600 (2axis, 10station)



*Special tool holder set is available for increasing tooling interference range on PUMA GT2100 & PUMA GT2600 series. Please contact DN Solutions for details.

PUMA GT2600M (M, 12station, BMT55P)

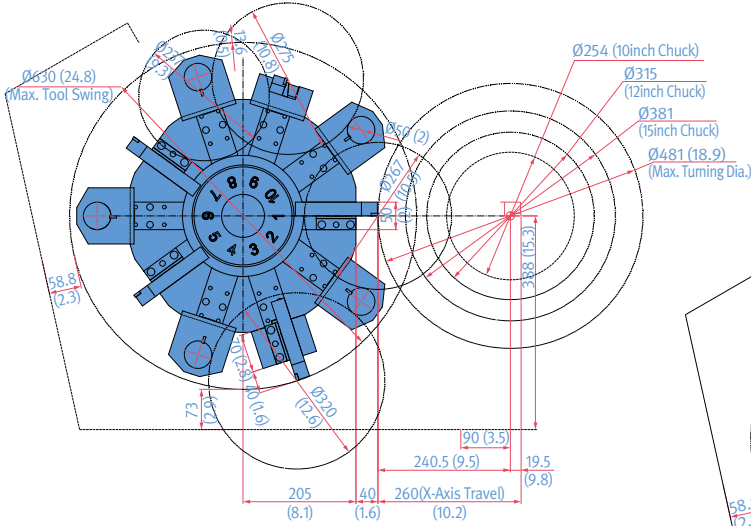


TOOL INTERFACE

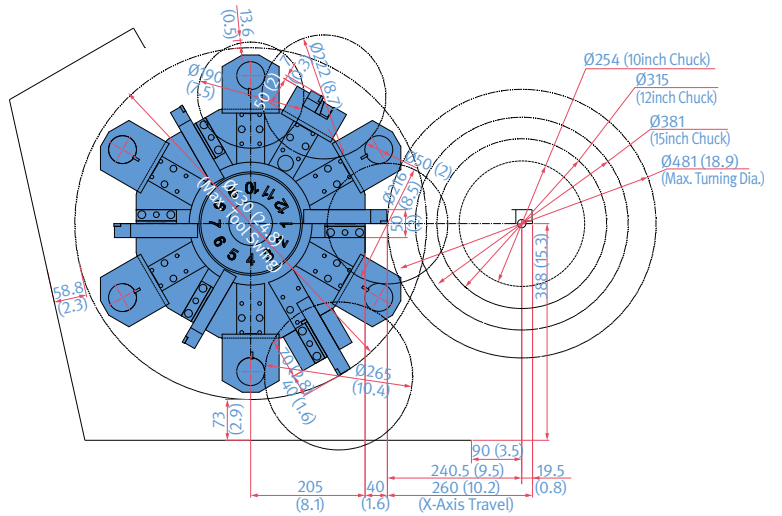
PUMA GT3100

Units : mm (inch)

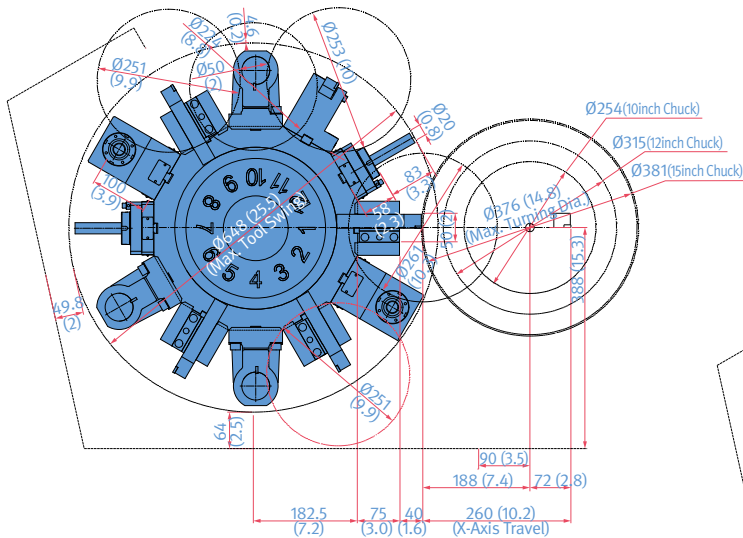
PUMA GT3100 (2axis, 10station)



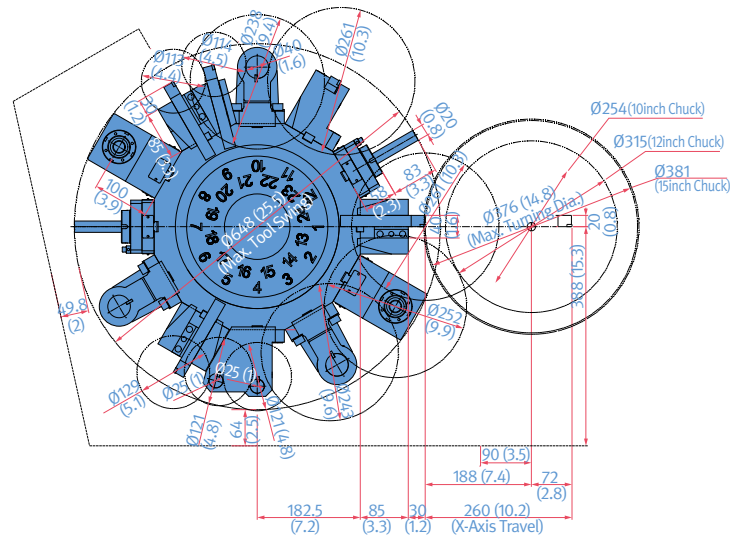
PUMA GT3100 (2axis, 12station, option)



PUMA GT3100M (M, 12station, BMT65P)

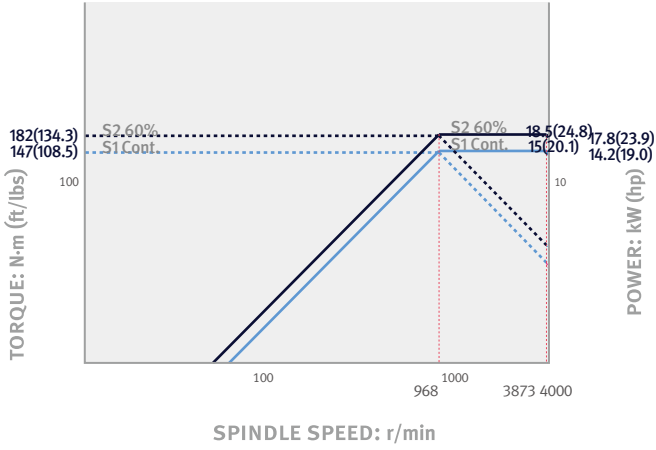


PUMA GT3100M (M, 24station, BMT65P option)

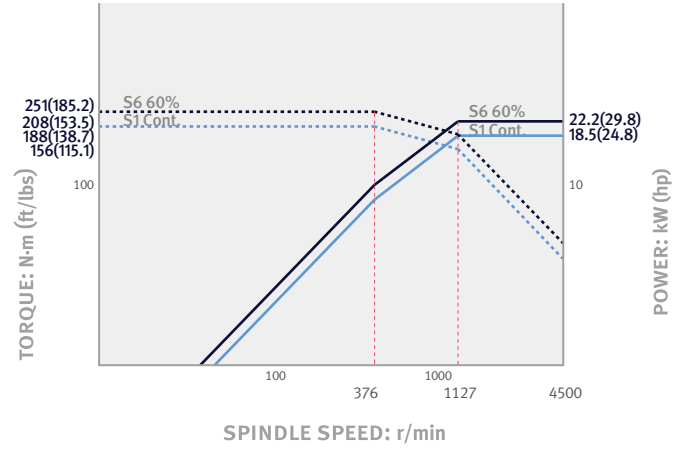


POWER | TORQUE

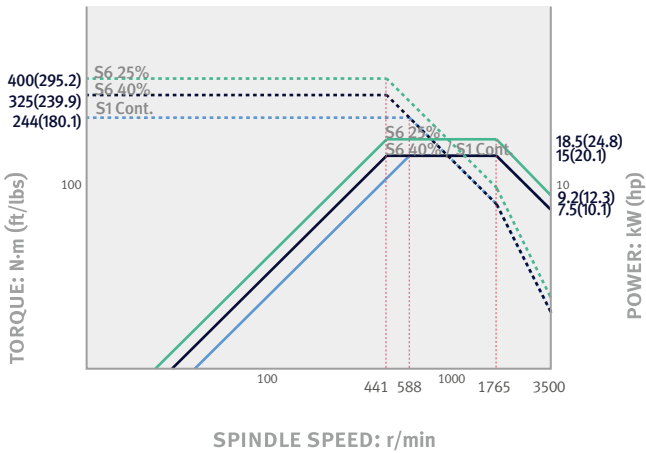
PUMA GT2100/2100M / DN Solutions FANUC i



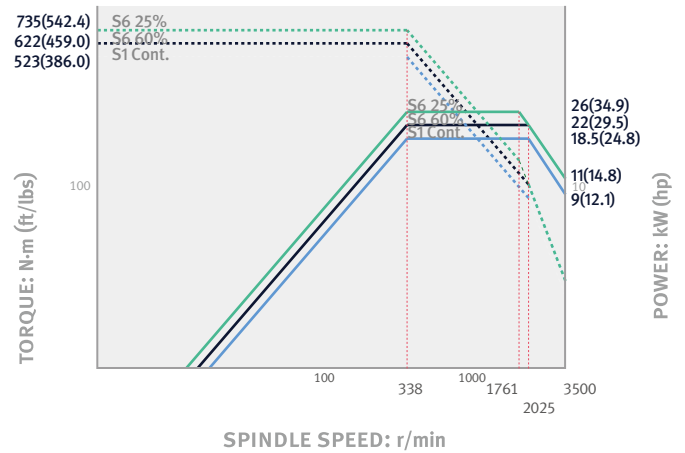
PUMA GT2100/2100M / SIEMENS S828D



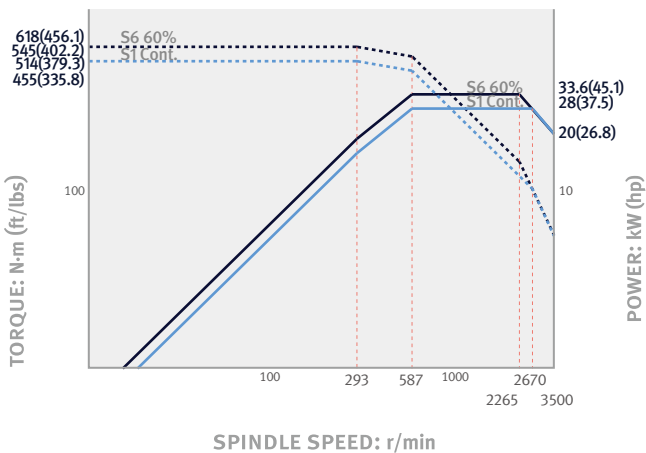
PUMA GT2100B/2100MB / DN Solutions FANUC i



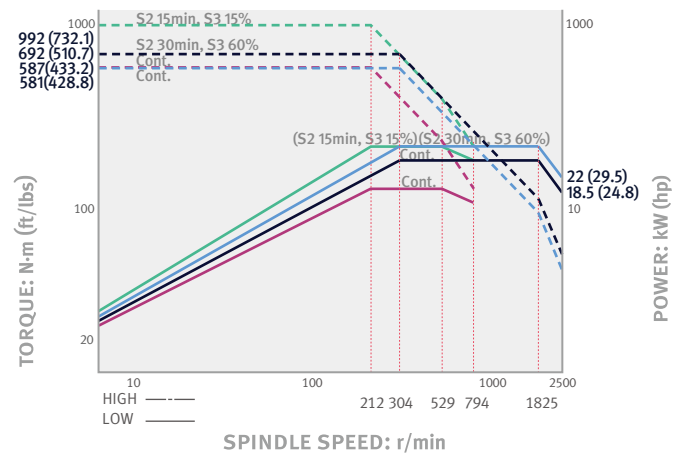
PUMA GT2600 series / DN Solutions FANUC i



PUMA GT2600 series / SIEMENS S828D

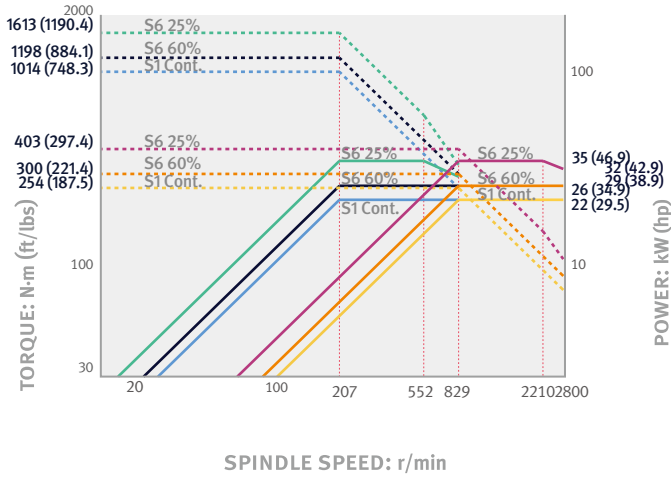


PUMA GT2600XLB / DN Solutions FANUC i

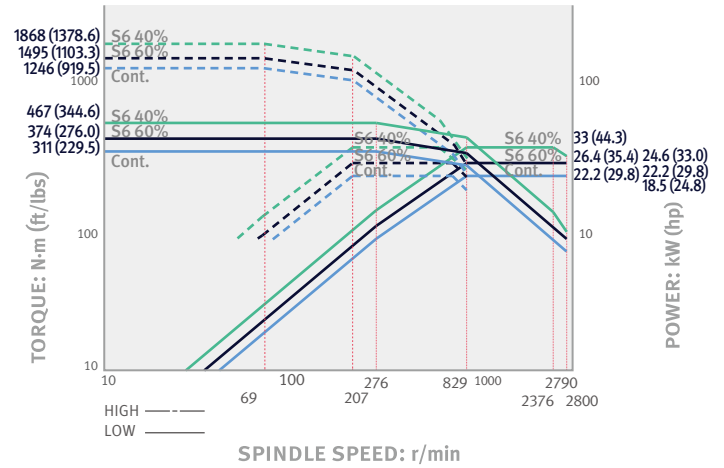


POWER | TORQUE

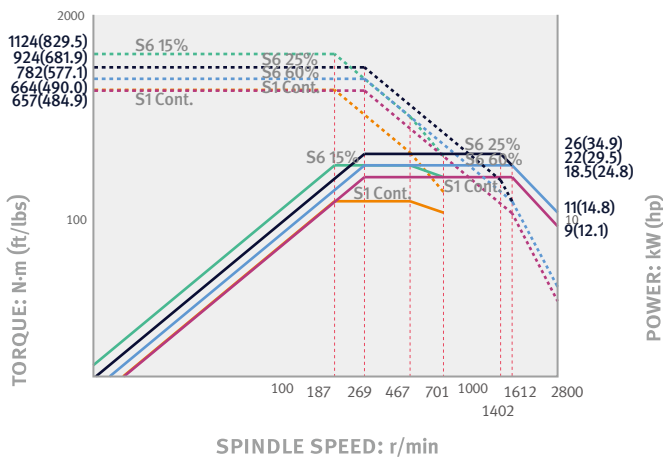
PUMA GT3100/3100L / DN Solutions FANUC i



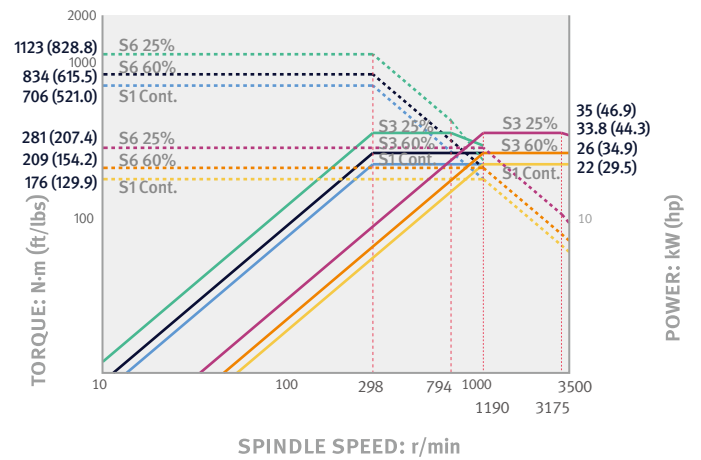
PUMA GT3100/ GT3100L / SIEMENS S828D



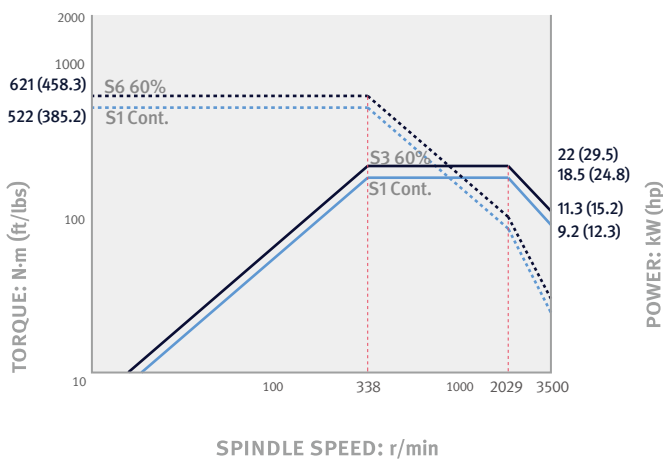
PUMA GT3100M/3100LM / DN Solutions FANUC i



PUMA GT3100A/3100LA / DN Solutions FANUC i



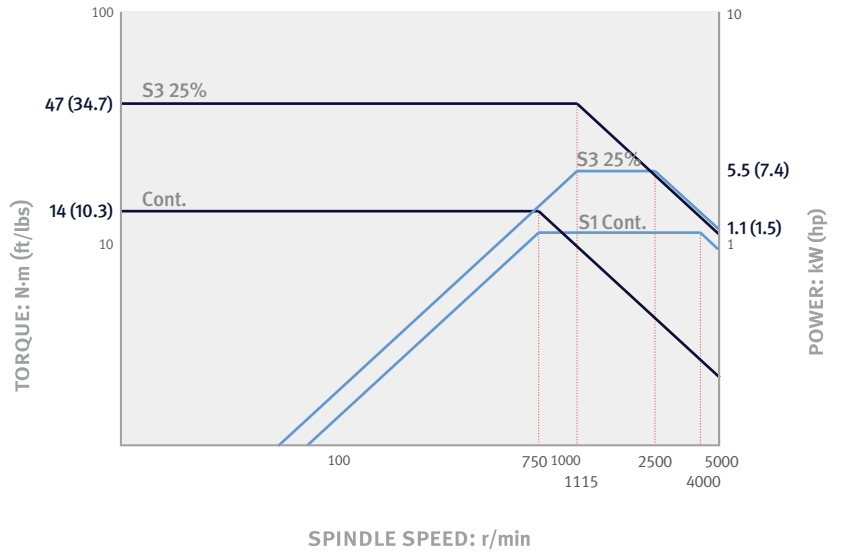
PUMA GT3100MA/3100LMA / DN Solutions FANUC i



POWER | TORQUE

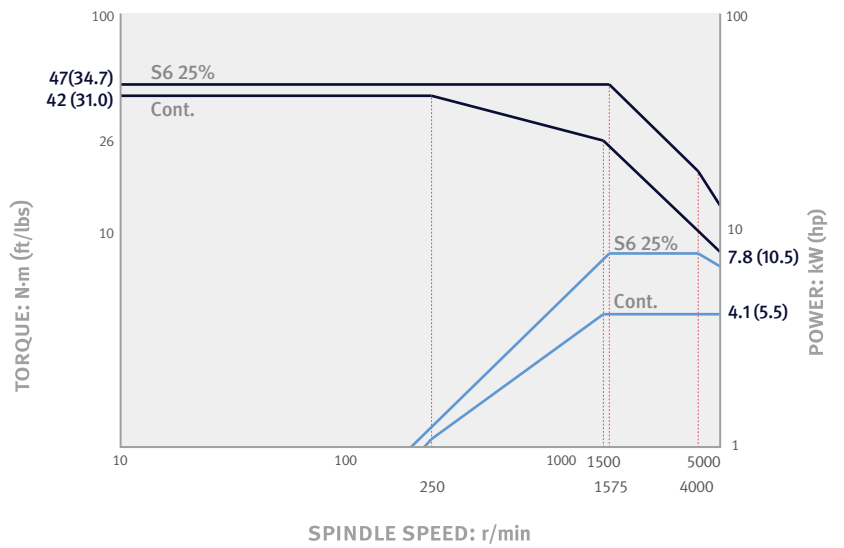
Rotary tool PUMA GT2100M/2100MB/2600M/2600LM / DN Solutions FANUC i

Rotary tool speed : **5000** r/min



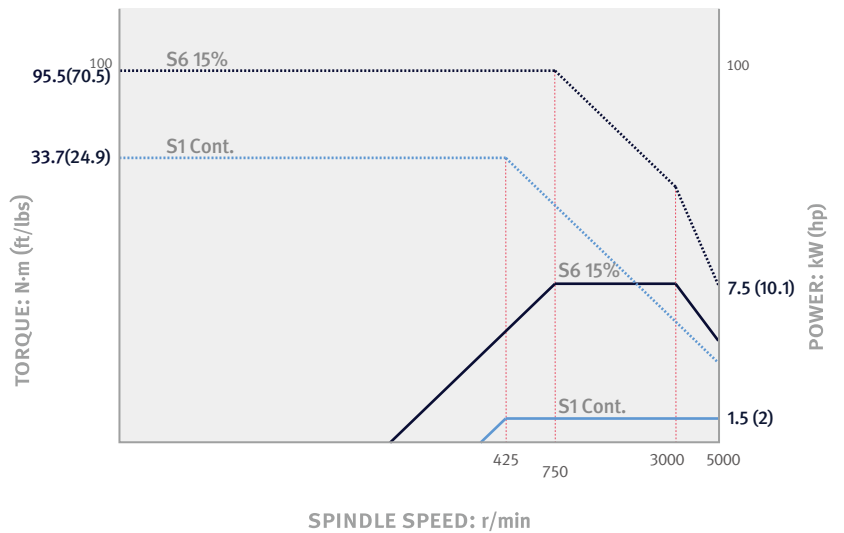
Rotary tool PUMA GT2100M/2100MB/2600M/2600LM / SIEMENS S828D

Rotary tool speed : **5000** r/min



Rotary tool PUMA GT3100M/3100LM / DN Solutions FANUC i

Rotary tool speed : **5000** r/min

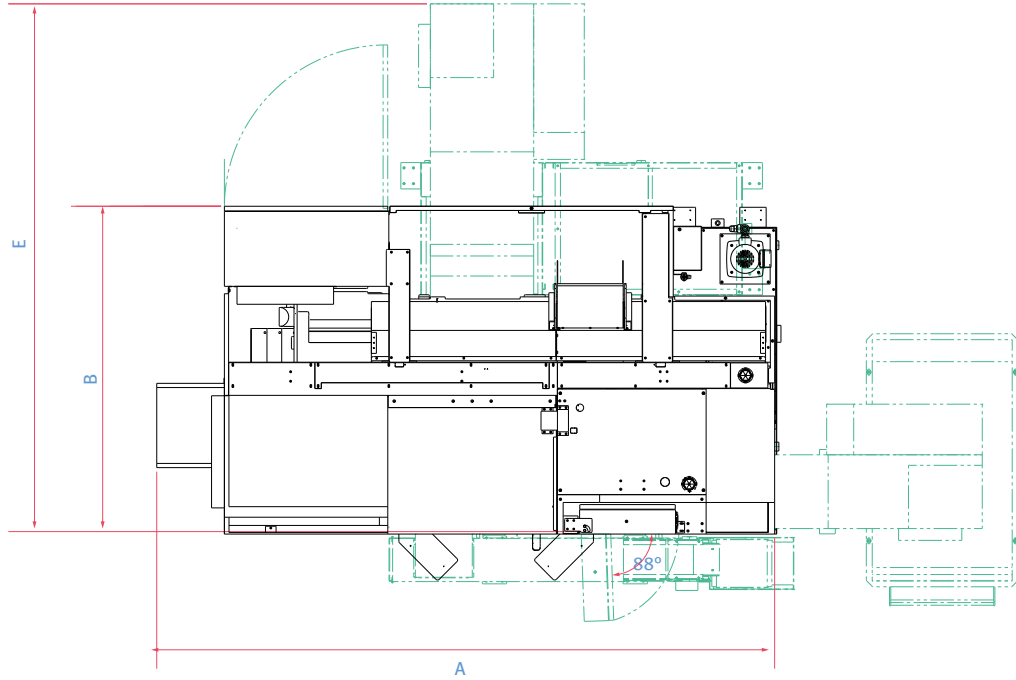


PUMA GT SERIES DIMENSIONS

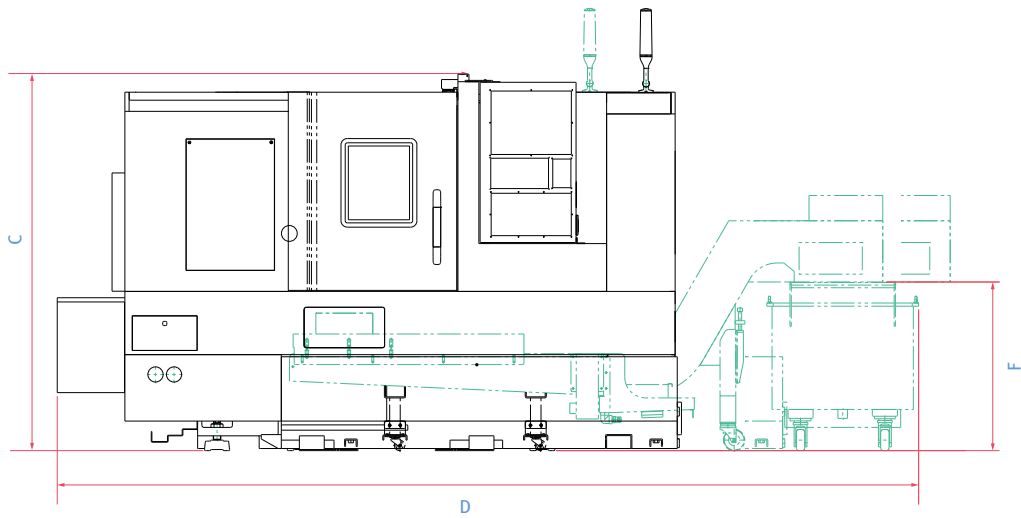
PUMA GT2100 / PUMA GT2600

Units : mm (inch)

TOP



FRONT



Model	A (Length)	B (Width)	C (Height)	D (Length with side type chip conveyor)		E (Width with rear type chip conveyor)		F (Height of chip outlet)**	
				Hinged belt	Screw	Hinged belt	Screw	Hinged belt	Screw
PUMA GT2100	2941 (115.8)	1632 (64.3)	1759 (69.3)	3895 (153.3)	3478 (136.9)	2588 (101.9)	2348 (92.4)	800 (31.5)	613 (24.1)
PUMA GT2100B	2991 (117.8)	1632 (64.3)	1759 (69.3)	3940 (155.1)	3523 (138.7)	2588 (101.9)	2348 (92.4)	800 (31.5)	613 (24.1)
PUMA GT2600	3396 (133.7)	1707 (67.2)	1779 (70.0)	4275 (168.3)	3847.5 (151.5)	2685 (105.7)	2348 (92.4)	800 (31.5)	628 (24.7)
PUMA GT2600L	3841(151.2)	1707 (67.2)	1830 (72.0)	4965 (195.5)	4542 (178.8)	(N/A)	(N/A)	800 (31.5)	628 (24.7)
PUMA GT2600XLA	4855 (191.1)	2198 (86.5)	2030 (79.9)	5724 (225.4)	(N/A)	(N/A)	(N/A)	940 (37.0)	(N/A)
PUMA GT2600XLB	4960 (195.3)	2198 (86.5)	2030 (79.9)	5829 (229.5)	(N/A)	(N/A)	(N/A)	940 (37.0)	(N/A)

* Some peripheral equipment can be placed in other places

* Specification with rear type coolant tank

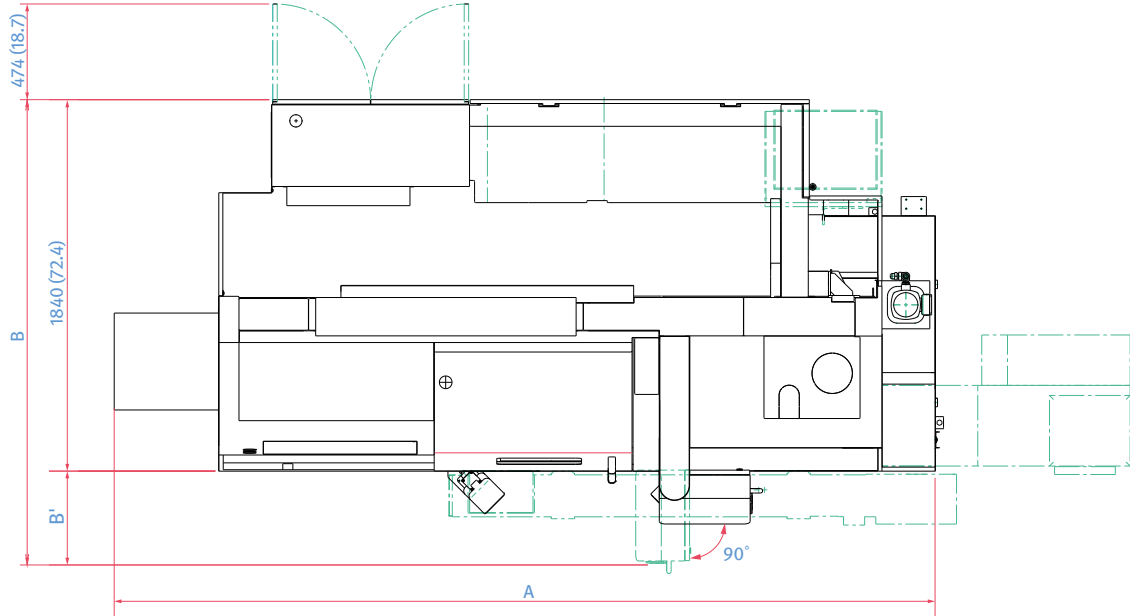
** Specification with side type chip conveyor

PUMA GT SERIES DIMENSIONS

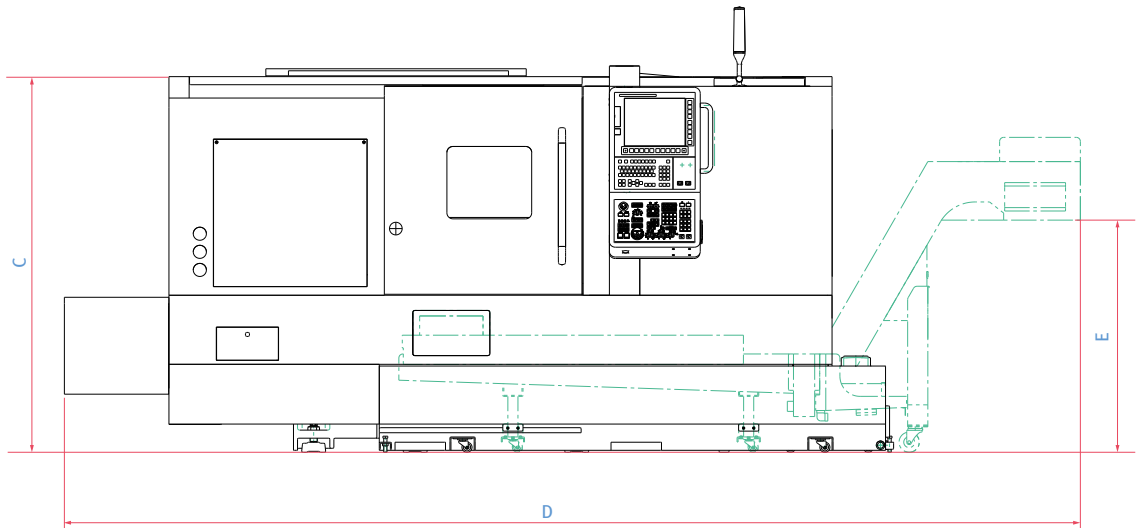
PUMA GT3100

Units : mm (inch)

TOP



FRONT

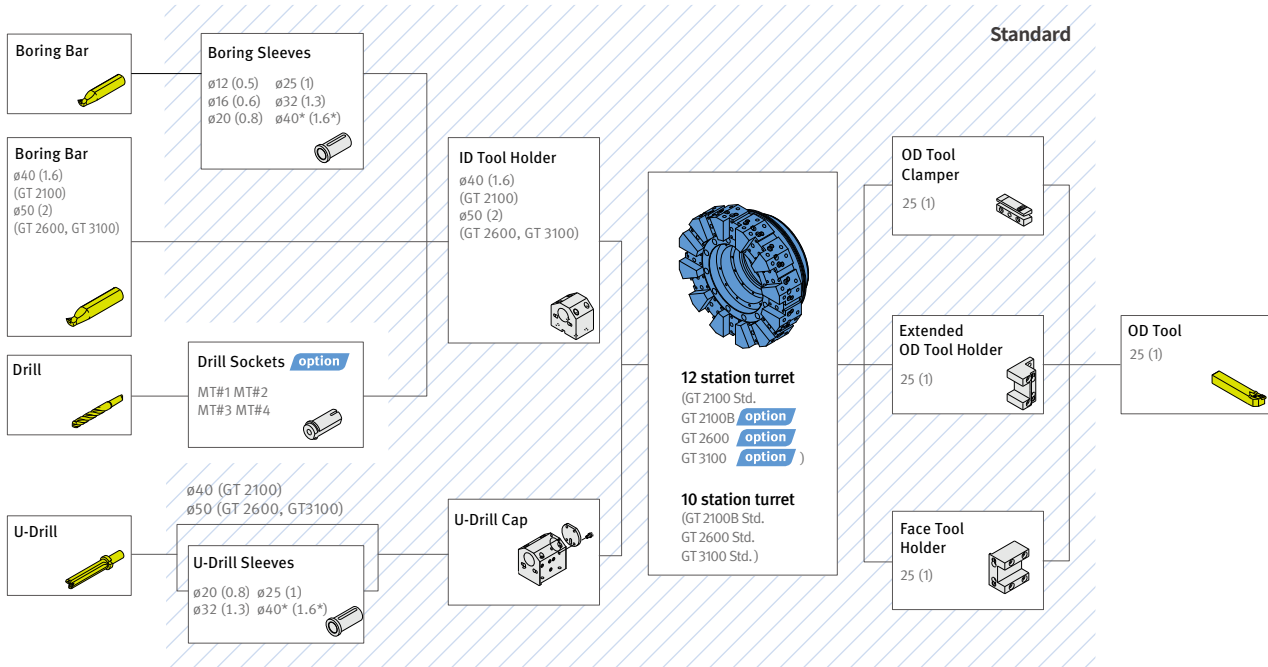


Model	A (Length)	B (Width)	B' (OP panel swivel range)	C (Height)	D (Length with side type chip conveyor)		E (Height of chip outlet)*		Width with rear type chip conveyor	
					Hinged belt	Screw	Hinged belt	Screw	Hinged belt	Screw
PUMA GT3100/3100A	4068/3960 (160.2/155.9)	2102 (82.8)	445 (17.5)	1915 (75.4)	5033/4925 (198.1/193.9)	4574/4466 (180.1/175.8)	1150 (45.3)	624 (24.6)	Pre-discussion is required	(N/A)
PUMA GT3100M/3100MA	3865/3800 (151.9/149.6)				4830/4765 (190.2/187.6)	4371/4306 (172.1/169.5)				
PUMA GT3100L/3100LA	4633/4525 (182.4/178.1)	2394 (94.3)	737 (29.0)	2110 (83.1)	5772/5604 (227.2/220.6)	(N/A)	(N/A)	(N/A)	(N/A)	(N/A)
PUMA GT3100LM/3100LMA	4465 (175.8)				5604 (220.6)					

TOOLING SYSTEM

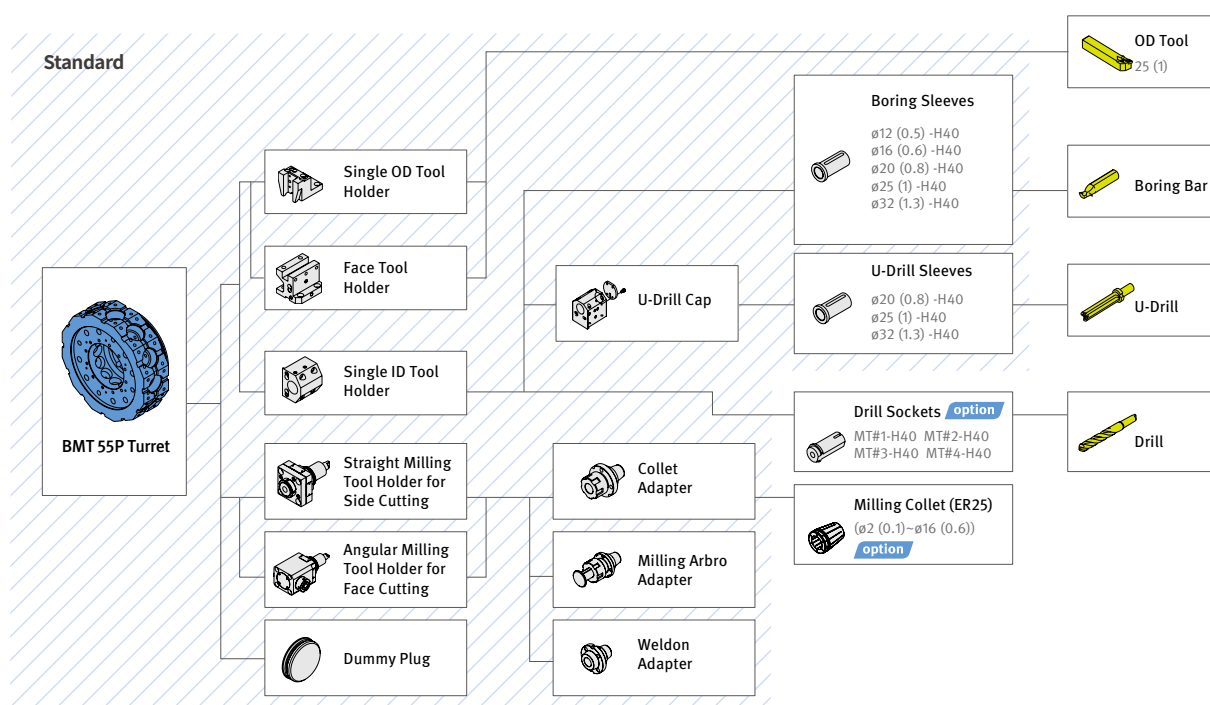
PUMA GT2100 / 2600, PUMA GT3100 (2axis, 10/12station)

Units : mm (inch)



*only for PUMA GT2600 / 3100

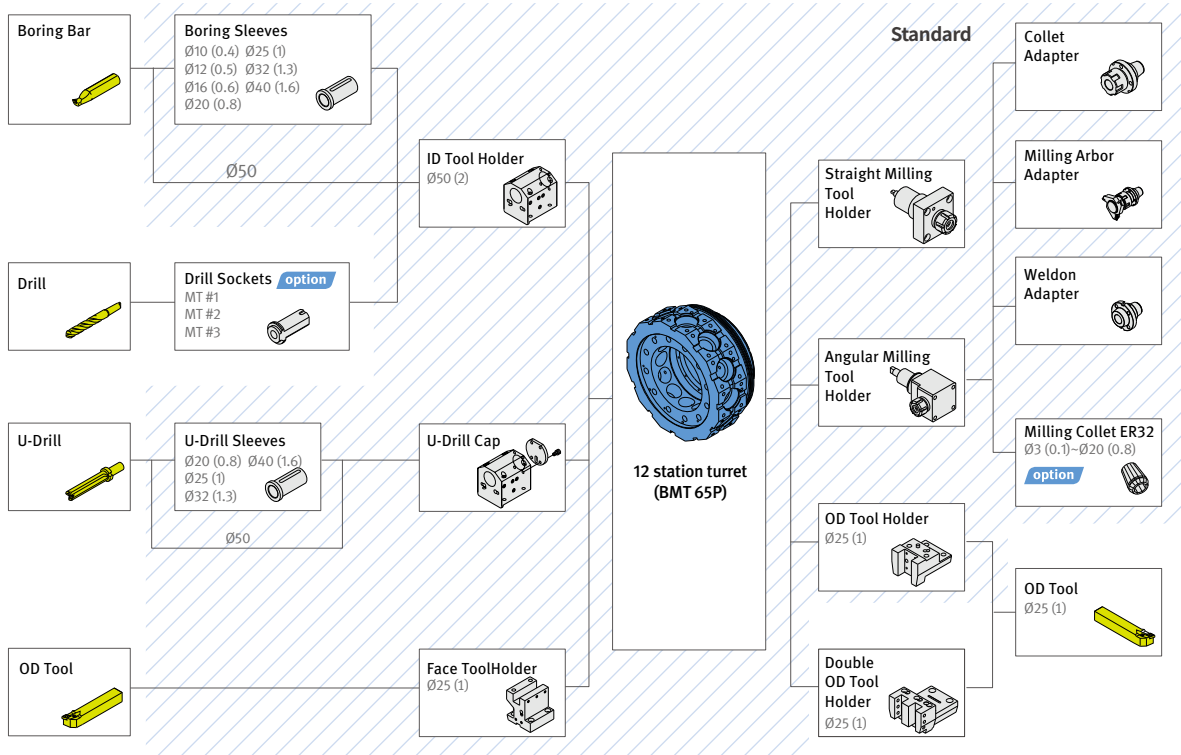
PUMA GT2100 / 2600 (M, 12station, BMT55P)



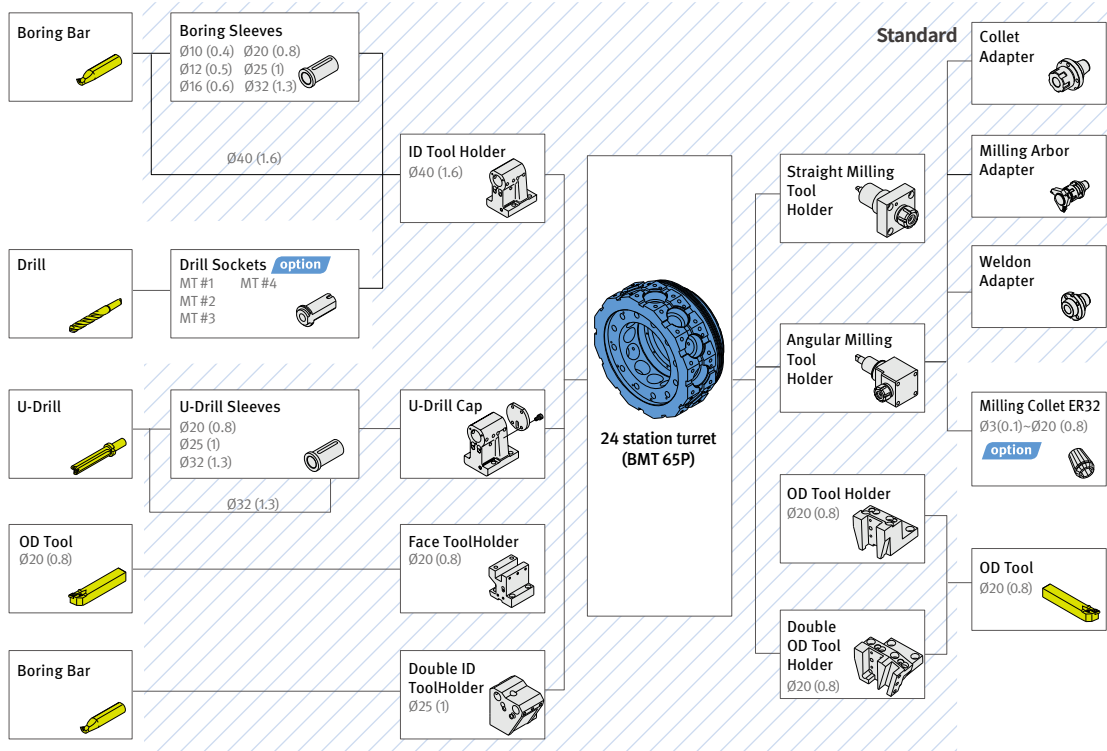
TOOLING SYSTEM

PUMA GT3100M / LM (12station, BMT65)

Units : mm (inch)



PUMA GT3100M/LM (24station, BMT65P) **option**

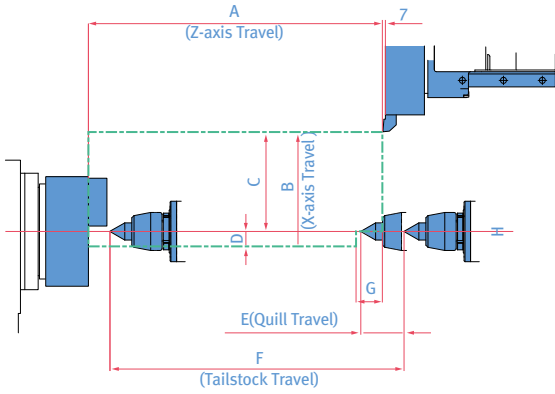


WORKING RANGE

PUMA GT2100 / 2600 (2axis)

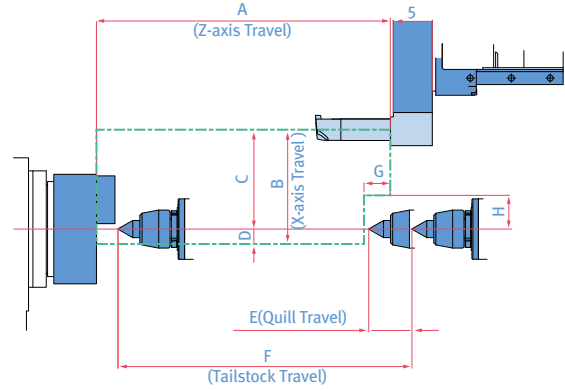
Units : mm (inch)

OD CLAMPER



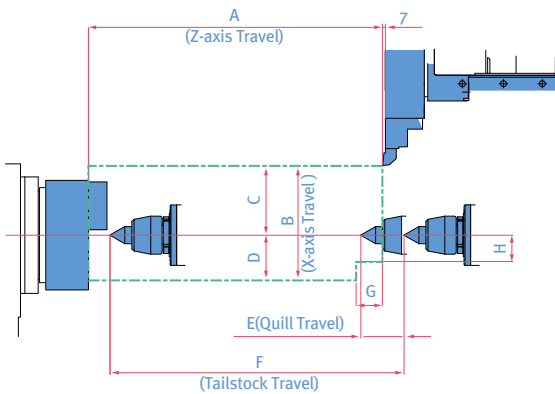
	A	B	C	D	E	F	G	H*
PUMA GT2100	580 (22.8)	230 (9.1)	195 (7.7)	35 (1.4)	80 (3.1)	580 (22.8)	63 (2.5)	-20 (0.8)
PUMA GT2100B								
PUMA GT2600	680 (26.8)					680 (26.8)		
PUMA GT2600L	1100 (43.3)	265 (10.4)	230 (9.1)	35 (1.4)	100 (3.9)	1100 (43.3)	61 (2.4)	0
PUMA GT2600XL(B)	1625 (64.0)					1625 (64.0)		

ID HOLDER



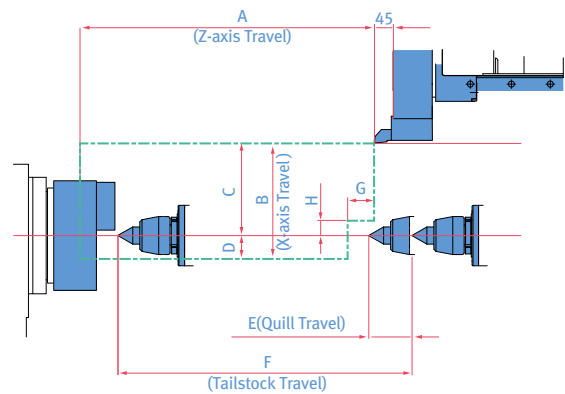
	A	B	C	D	E	F	G	H*
PUMA GT2100	580 (22.8)	230 (9.1)	200 (7.9)	30 (1.2)	80 (3.1)	580 (22.8)	63 (2.5)	-15 (0.6)
PUMA GT2100B								
PUMA GT2600	680 (26.8)					680 (26.8)		
PUMA GT2600L	1100 (43.3)	265 (10.4)	230 (9.1)	35 (1.4)	100 (3.9)	1100 (43.3)	61 (2.4)	78 (3.1)
PUMA GT2600XL(B)	1625 (64.0)					1625 (64.0)		

EXTENDED OD HOLDER



	A	B	C	D	E	F	G	H*
PUMA GT2100	580 (22.8)	230 (9.1)	140 (5.5)	90 (3.5)	80 (3.1)	580 (22.8)	68 (2.7)	-75 (3.0)
PUMA GT2100B								
PUMA GT2600	680 (26.8)					680 (26.8)		
PUMA GT2600L	1100 (43.3)	265 (10.4)	160 (6.3)	105 (4.1)	100 (3.9)	1100 (43.3)	61 (2.4)	-62 (2.4)
PUMA GT2600XL(B)	1625 (64.0)					1625 (64.0)		

FACE TOOL HOLDER



	A	B	C	D	E	F	G	H*
PUMA GT2100	580 (22.8)	230 (9.1)	178 (7.0)	52 (2.0)	80 (3.1)	580 (22.8)	68 (2.7)	-37 (1.5)
PUMA GT2100B								
PUMA GT2600	680 (26.8)					680 (26.8)		
PUMA GT2600L	1100 (43.3)	265 (10.4)	213 (8.4)	52 (2.0)	100 (3.9)	1100 (43.3)	61 (2.4)	35 (1.4)
PUMA GT2600XL(B)	1625 (64.0)					1625 (64.0)		

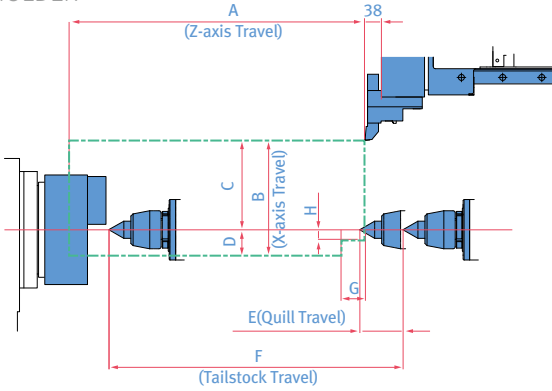
* for H : (-) Downward direction of spindle center line / (+) Upward direction of spindle center line

WORKING RANGE

PUMA GT2100M / 2600M (3axis)

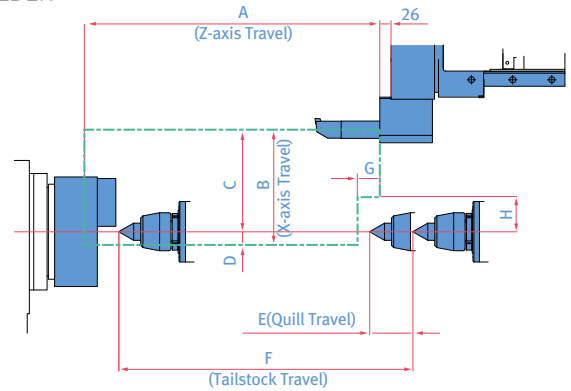
Units : mm (inch)

OD HOLDER



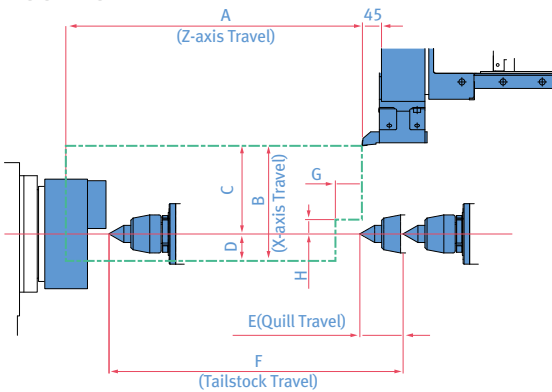
	A	B	C	D	E	F	G	H*
PUMA GT2100 M	580	230	150	80	80	580	77	-60
PUMA GT2100MB	(22.8)	(9.1)	(5.9)	(3.1)	(3.1)	(22.8)	(3.0)	(2.4)
PUMA GT2600M	680					680	53	
	(26.8)					(26.8)	(2.1)	
PUMA GT2600LM	1100	265	205	60	100	1100		-25
	(43.3)	(10.4)	(8.1)	(2.4)	(3.9)	(43.3)		(1.0)
PUMA GT2600XLM(B)	1625					1625	46	
	(64.0)					(64.0)	(1.8)	

ID HOLDER



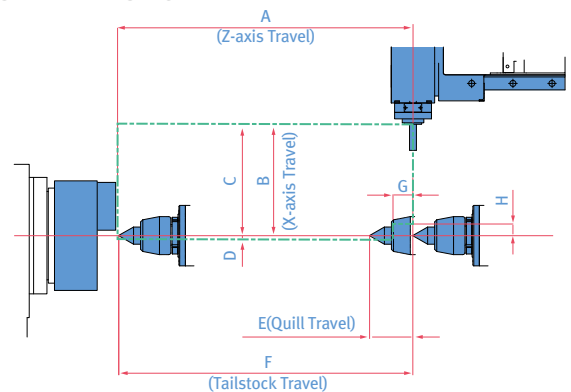
	A	B	C	D	E	F	G	H*
PUMA GT2100 M	580	230	180	50	80	580	77	-30
PUMA GT2100MB	(22.8)	(9.1)	(7.1)	(2.0)	(3.1)	(22.8)	(3.0)	-(1.2)
PUMA GT2600M	680					680		
	(26.8)					(26.8)		
PUMA GT2600LM	1100	265	235	30	100	1100	51	80
	(43.3)	(10.4)	(9.3)	(1.2)	(3.9)	(43.3)	(2.0)	(3.1)
PUMA GT2600XLM(B)	1625					1625		
	(64.0)					(64.0)		

FACE TOOL HOLDER



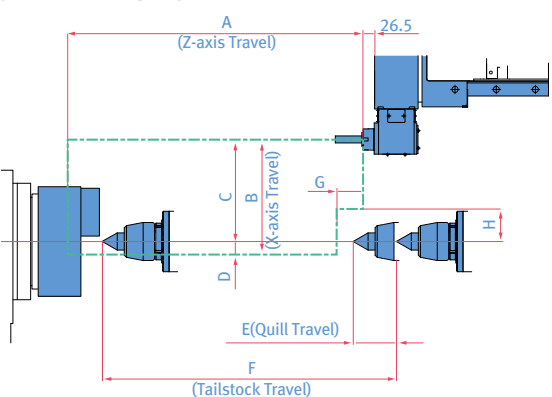
	A	B	C	D	E	F	G	H*
PUMA GT2100 M	580	230	148	82	80	580	77	-65
PUMA GT2100MB	(22.8)	(9.1)	(5.8)	(3.2)	(3.1)	(22.8)	(3.0)	-(2.6)
PUMA GT2600M	680					680		
	(26.8)					(26.8)		
PUMA GT2600LM	1100	265	203	62	100	1100	61	33
	(43.3)	(10.4)	(8.0)	(2.4)	(3.9)	(43.3)	(2.4)	(1.3)
PUMA GT2600XLM(B)	1625					1625		
	(64.0)					(64.0)		

STRAIGHT MILLING HOLDER



	A	B	C	D	E	F	G	H*
PUMA GT2100 M	580	230	201	29	80	580	77	-9
PUMA GT2100MB	(22.8)	(9.1)	(7.9)	(1.1)	(3.1)	(22.8)	(3.0)	-(0.4)
PUMA GT2600M	680					680		
	(26.8)					(26.8)		
PUMA GT2600LM	1100	265	256	9	100	1100	46	26
	(43.3)	(10.4)	(10.1)	(0.4)	(3.9)	(43.3)	(1.8)	(1.0)
PUMA GT2600XLM(B)	1625					1625		
	(64.0)					(64.0)		

ANGULAR MILLING HOLDER



	A	B	C	D	E	F	G	H*
PUMA GT2100 M	580	230	180	50	80	580	77	-33
PUMA GT2100MB	(22.8)	(9.1)	(7.1)	(2.0)	(3.1)	(22.8)	(3.0)	-(1.3)
PUMA GT2600M	680					680		
	(26.8)					(26.8)		
PUMA GT2600LM	1100	265	235	30	100	1100	61	75
	(43.3)	(10.4)	(9.3)	(1.2)	(3.9)	(43.3)	(2.4)	(3.0)
PUMA GT2600XLM(B)	1625					1625		
	(64.0)					(64.0)		

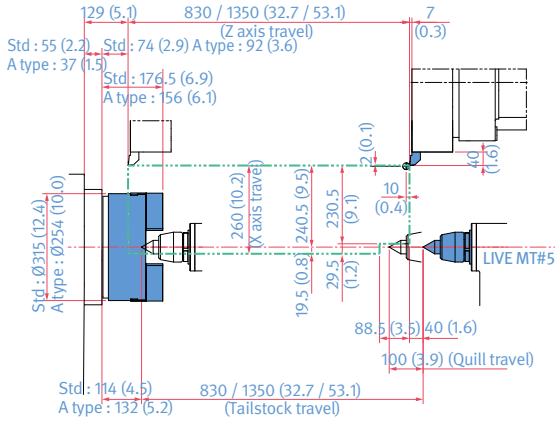
* for H : (-) Downward direction of spindle center line / (+) Upward direction of spindle center line

WORKING RANGE

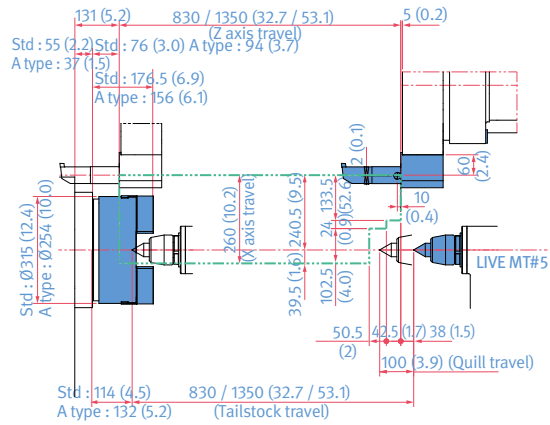
PUMA GT3100 / 3100L (2axis)

Units : mm (inch)

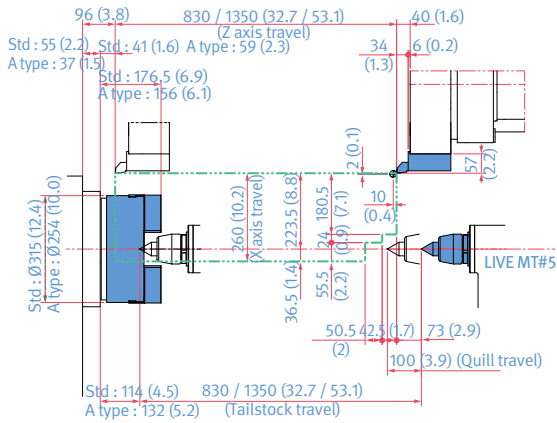
OD HOLDER



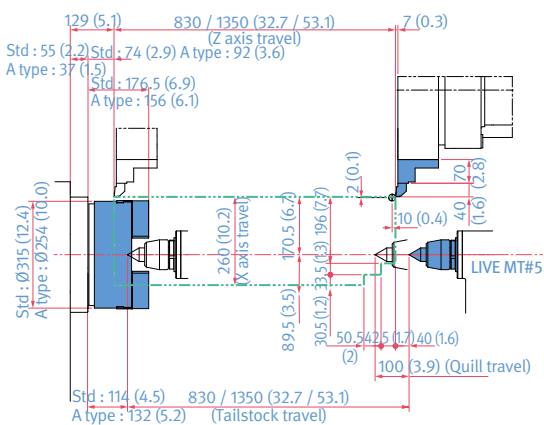
ID HOLDER



FACE TOOL HOLDER



EXTENDED OD HOLDER

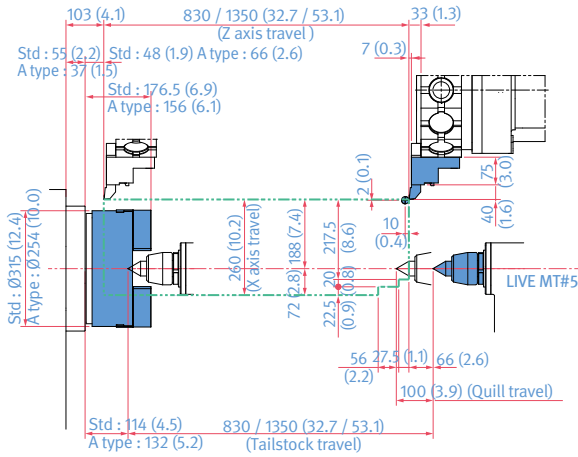


WORKING RANGE

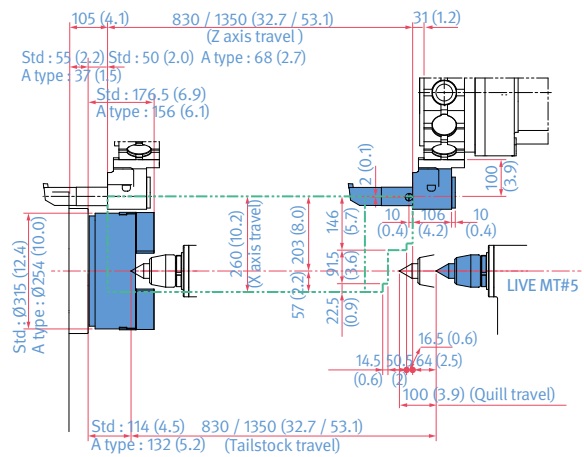
PUMA GT3100M / 3100LM (M, BMT65P)

Units : mm (inch)

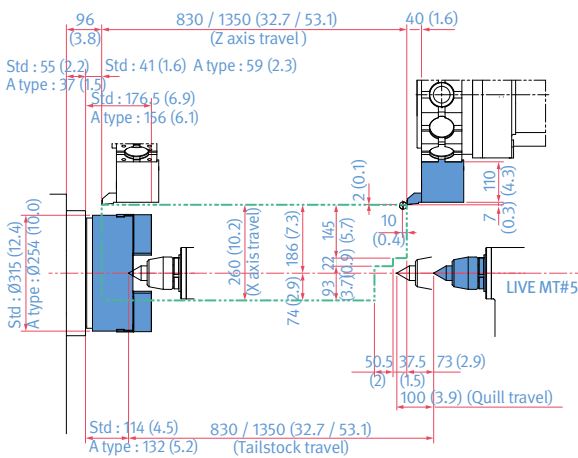
OD HOLDER



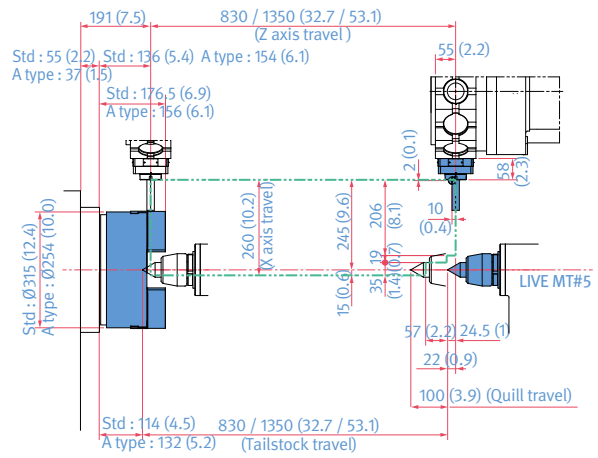
ID HOLDER



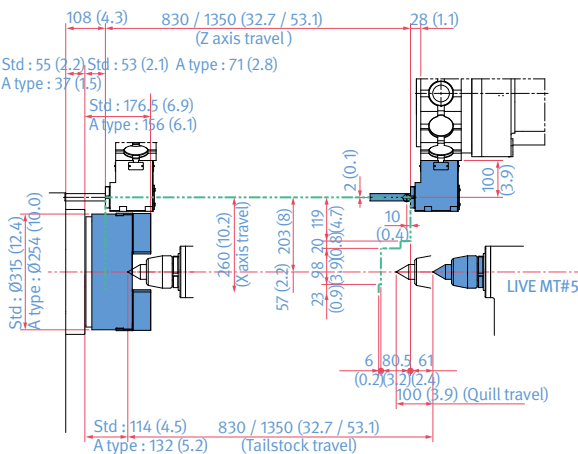
FACE TOOL HOLDER



STRAIGHT MILLING HOLDER



ANGULAR MILLING HOLDER



MACHINE SPECIFICATIONS

Description		mm (inch)	PUMA GT2100	PUMA GT2100M	PUMA GT2100B	PUMA GT2100MB
Capacity	Swing over bed	mm (inch)	600 (23.6)		600 (23.6)	
	Swing over saddle	mm (inch)	390 (15.4)		390 (15.4)	
	Recommended turning dia.	mm (inch)	210 (8.3)		255 (10.0)	
	Max. turning dia.	mm (inch)	390 (15.4)	300 (11.8)	390 (15.4)	300 (11.8)
	Max turning length	mm (inch)	562 [312] (22.1 [12.3])	513 [263] (20.2 [10.4])	550 (21.7)	501 (2.9)
	Chuck size	inch	8 {10}*		10 {12}*	
	Bar working dia.	mm (inch)	65 (2.6)		81 (3.2)	
Travels	Travel distance	X-axis	230 (9.1)		230 (9.1)	
		Z-axis	580 (22.8)		580 (22.8)	
Feedrates	Rapid Traverse Rate	X-axis	24 (945)		24 (945)	
		Z-axis	30 (1181)		30 (1181)	
Main spindle	Max. Spindle speed	r/min	4500		3500	
	Main spindle motor power	kW (Hp)	18.5 / 15 / 15 (24.8 / 20.1 / 20.1) (S6 25% / S6 40% / S1 Cont.)		18.5 / 15 / 15 (24.8 / 20.1 / 20.1) (S6 25% / S6 40% / S1 Cont.)	
	Max. Spindle torque	N · m (lbf-ft)	313 (231)		400 (295.2)	
	Spindle nose	ASA	A2-6		A2-8	
	Spindle bearing diameter (Front)	mm (inch)	110 (4.3)		140 (5.5)	
	Spindle through hole	mm (inch)	76 (3.0)		91 (3.6)	
	Min. spindle Indexing angle (C-axis)	deg	-	0.001	-	0.001
Turret	No. of tool stations	ea	12	12	10 {12}	12
	OD tool size	mm (inch)	25 x 25 (1 x 1)		25 x 25 (1 x 1)	
	Max. boring bar size	mm (inch)	40 (1.6)		40 (1.6)	
	Turret Indexing time (1 station swivel)	s	0.15		0.15	
	Max. Rotary tool speed	r/min	-	5000	-	5000
	Rotary tool motor power	kW (Hp)	-	5.5 (7.4)	-	5.5 (7.4)
Tailstock	Tailstock travel	mm (inch)	580 (22.8)		580 (22.8)	
	Quill diameter	mm (inch)	80 (3.1)		80 (3.1)	
	Quill travel	mm (inch)	80 (3.1)		80 (3.1)	
	Quill bore taper	MT	MT#4 {#3 (Dead)}*		MT#4 {#3 (Dead)}*	
Power source	Electric power supply (rated capacity)	kVA	29.04		29.04	
Machine Dimensions	Length	mm (inch)	2941 (115.8)		2991 (117.8)	
	Width	mm (inch)	1632 (64.3)		1632 (64.3)	
	Height	mm (inch)	1759 (69.3)		1759 (69.3)	
	Weight	kg (lbf)	3700 (8157)	3800 (8377.4)	3800 (8377.4)	3900 (8597.9)
Control	NC system	DN Solutions Fanuc i Plus, SIEMENS S828D				

* {}: option *** The specifications and information above-mentioned may be changed without prior notice. For more details, please contact DN Solutions

MACHINE SPECIFICATIONS

Description		mm (inch)	PUMA GT2600 [L]	PUMA GT2600M [LM]	PUMA GT2600XL[XLB]	PUMA GT2600XLM[XLMB]	PUMA GT3100A[LA]	PUMA GT3100MA[LMA]	PUMA GT3100 [L]	PUMA GT3100M [LM]
Capacity	Swing over bed	mm (inch)	630 (24.8)		630 (24.8)		720 (28.3)			
	Swing over saddle	mm (inch)	460 (18.1)		460 (18.1)		590 (23.2)			
	Recommended turning dia.	mm (inch)	255 (10.0)		255 (10.0)		255 (10.0)		315(12.0)	
	Max. turning dia.	mm (inch)	460 (18.1)	410 (16.1)	460 (18.1)	410 (16.1)	481 (18.9)	376 (14.8)	481 (18.9)	376 (14.8)
	Max turning length	mm (inch)	658 [1078] (25.9 [42.4])	610 [1030] (24.0 [40.6])	1603 [1573]	1555 [1525]	799[1310] (31.1[51.6])	760 [1280] (29.9[50.4])	755 [1275] (2.9 [50.2])	725 [1245] (28.5 [49.0])
	Chuck size	inch	10 [12]*		10 [12]		10		12	
	Bar working dia.	mm (inch)	81 (3.2)		81 [102] (3.2 [4.0])		81 (3.2)		102 (4.0)	
Travels	Travel distance	X-axis	265 (10.4)		265 (10.4)		260 (10.2)			
		Z-axis	680 [1100] (26.8 [43.3])		1625 (26.8)		830 [1350] (32.7 [53.1])			
Feedrates	Rapid Traverse Rate	X-axis	24 (945)		24 (945)		24 (945)			
		Z-axis	30 (1181)		30 (1181)		30 (1181)			
Main spindle	Max. Spindle speed	r/min	3500		3500 [2500]	3500 [2500]	3500		2800	
	Main spindle motor power	kW (Hp)	26 / 22 / 18.5 (34.9 / 29.5 / 24.8) (S6 25% / S6 60% / S1 Cont.)		26 / 22 / 18.5 (34.9 / 29.5 / 24.8) (S6 25% / S6 60% / S1 Cont.) [LOW WINDING 22 / 13 (S6 15% / S1 Cont.)] [HIGH WINDING 26 / 22 / 18.5 (S6 25% / S6 60% / S1 Cont.)]		35 / 26 / 22 (46.9 / 34.9 / 29.5) (S6 25% / S6 60% / S1 Cont.)	26 / 22 / 18.5 (34.9 / 29.5 / 24.8) (S6 25% / S6 60% / S1 Cont.)	35 / 26 / 22 (46.9 / 34.9 / 29.5) (S6 25% / S6 60% / S1 Cont.)	26 / 22 / 18.5 (34.9 / 29.5 / 24.8) (S6 25% / S6 60% / S1 Cont.)
	Max. Spindle torque	N · m (lbf-ft)	735 (542.4)		735 [992] (542.4 [732.1])		622 (459.0)		1613 (1190.4)	1123 (828.8)
	Spindle nose	ASA	A2-8		A2-8 [A2-11]		A2-8		A2-11	
	Spindle bearing diameter (Front)	mm (inch)	140 (5.5)		140 [160] (5.5 [6.3])		140 (5.5)		160 (6.3)	
	Spindle through hole	mm (inch)	91 (3.6)		91 [115] (3.6 [4.5])		91(3.6)		115 (4.5)	
	Min. spindle Indexing angle (C-axis)	deg	-	0.001	-	0.001	-	0.001	-	0.001
Turret	No. of tool stations	ea	10 [12]*	12	10 [12]*	12	10 [12]*	12 [24]*	10 [12]	12 {24 position index}*
	OD tool size	mm (inch)	25 x 25 (1 x 1)		25 x 25 (1 x 1)		25 x 25 (1 x 1)		25 x 25 (1 x 1)	
	Max. boring bar size	mm (inch)	50 (2.0)	40 (1.6)	50 (2.0)	40 (1.6)	50 (2.0)			
	Turret Indexing time (1 station swivel)	s	0.15		0.15		0.15			
	Max. Rotary tool speed	r/min	-	5000	-	5000	-	5000	-	5000
	Rotary tool motor power	kW (Hp)	-	5.5 (7.4)	-	5.5 (7.4)	-	7.5 (10.1)	-	7.5 (10.1)
Tailstock	Tailstock travel	mm (inch)	680 [1100] (26.8 [43.3])		1625 [1595]		830 [1350] (26.8 [45.3])			
	Quill diameter	mm (inch)	100 (3.9)		100 (3.9)		100 (3.9)			
	Quill travel	mm (inch)	100 (3.9)		100 (3.9)		100 (3.9)			
	Quill bore taper	MT	MT#5 {#4 (Dead)}*		MT#5 {#4(Dead)}*		MT#5 {#4(Dead)}*			
Power source	Electric power supply (rated capacity)	kVA	34.58				36	34	36	34
Machine Dimensions	Length	mm (inch)	3396 [3841] (133.7 [151.2])		4855 [4960] (191.1 [195.3])		3960[4525] (155.9[178.1])	3800[4465] (149.6[175.8])	4068[4633] (160.2[182.4])	3865[4465] (152.2[175.8])
	Width	mm (inch)	1707 (67.2)		2198 (86.5)		2102 [2394] (82.8 [94.3])			
	Height	mm (inch)	1779 [1830] (70.0 [72.0])		2030 (79.9)		1915 (75.4)		2110 (83.1)	
	Weight	kg (lbf)	4300[4900] (9479.7 [10802.5])	4350[4950] (9590 [10912.7])	5900 [6050] (13007.1 [13337.8])	5950 [6100] (13117.3 [13448.0])	5450 [6850] (12015.0 [15101.4])	5600 [7000] (2345.7 [15432.1])	5500 [6900] (12125.2 [15211.7])	5650 [7050] (222.4 [277.6])
Control	NC system	DN Solutions Fanuc i Plus, SIEMENS S828D								

* {}: option *** The specifications and information above-mentioned may be changed without prior notice. For more details, please contact DN Solutions

RESPONDING TO CUSTOMERS ANYTIME, ANYWHERE

DN Solutions Global Network

DN Solutions provides systems-based professional support services, before and after the machine tool sale, by responding quickly and efficiently to customers. By supplying spare parts, product training, field service and technical support, we provide the expert care, attention and assistance our customers expect from a market leader.

Global sales and service support network		51	Technical centers <i>Technical center, Sales support, Service support, Parts support</i>
4	Corporations	200	Service posts
155	Dealer networks	3	Factories



CUSTOMER SUPPORT AND SERVICES

We're there for you whenever you need us.

We help our customers operate at maximum efficiency by providing them with a range of tried, tested and trusted services - from pre-sales consultancy to post-sales support.



Field services

- On-site service
- Machine installation and testing
- Scheduled preventive maintenance
- Machine repair service



Parts supply

- Supplying a wide range of original DN Solutions spare parts
- Parts repair service



Training

- Programming, machine setup and operation
- Electrical and mechanical maintenance
- Applications engineering



Technical support

- Supports machining methods and technology
- Responds to technical queries
- Provides technical consultancy



dn-solutions.com

Head Office

19F, 10, Tongil-ro, Jung-gu
Seoul, Republic of Korea, 04527
Tel: +82-2-6972-0370/0350
Fax: +82-2-6972-0400

DN Solutions America

19A Chapin Road, Pine Brook
New Jersey 07058, United States
Tel: +1-973-618-2500
Fax: +1-973-618-2501

DN Solutions Europe

Emdener Strasse 24, D-41540
Dormagen, Germany
Tel: +49-2133-5067-100
Fax: +49-2133-5067-111

DN Solutions India

No.82, Jakkuar Village
Yelahanka Hobli, Bangalore-560064
Tel: + 91-80-2205-6900
E-mail: india@dncompany.com

DN Solutions China

Room 101,201,301, Building 39 Xinzhuan
Highway No.258 Songjiang District
China Shanghai (201612)
Tel: +86 21-5445-1155
Fax: +86 21-6405-1472

Sales inquiry

sales@dncompany.com

* For more details, please contact DN Solutions.

* Specifications and information contained within this catalogue may be changed without prior notice.